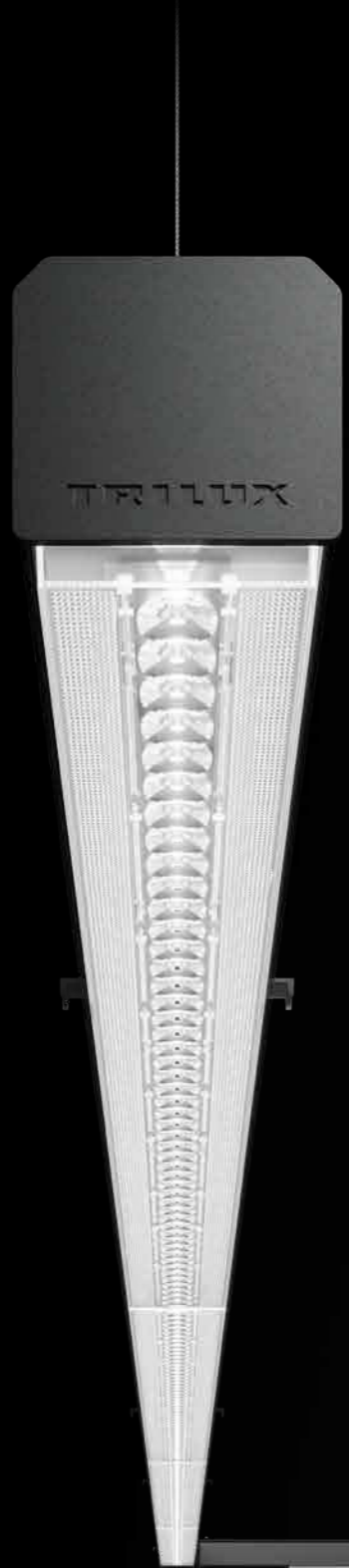


TRILUX
SIMPLIFY YOUR LIGHT.



E-LINE PRO

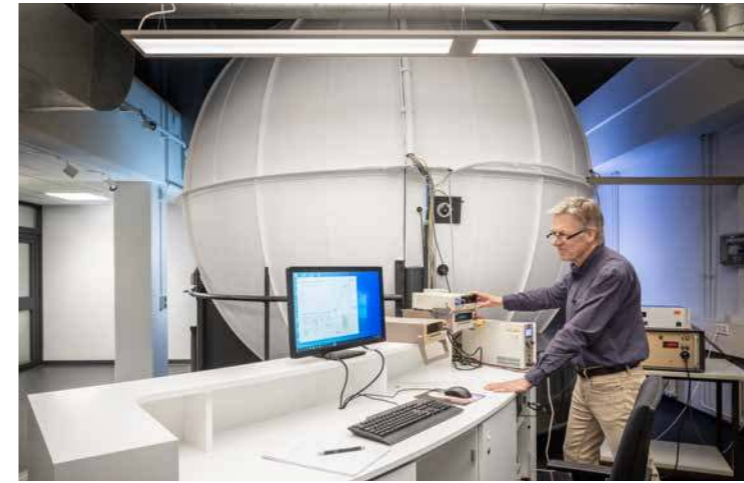
IN LINE WITH YOUR BUSINESS

CONTENT

TRILUX – SIMPLIFY YOUR LIGHT	Pages 04 - 05
History of the E-Line	Pages 06 - 07
E-Line Pro: a combination of experience and evolution	Pages 08 - 09
System overview	Pages 10 - 11
<hr/>	
Trunking	Pages 12 - 17
IP variants	Pages 18 - 19
Luminaire inserts	Pages 20 - 23
Optics	Pages 24 - 29
Function modules	Pages 30 - 33
Emergency light	Pages 34 - 37
Technical features	Pages 38 - 39
Nomenclature	Pages 40 - 41
<hr/>	
Industry planning examples	Pages 44 - 45
Retail planning examples	Pages 46 - 47
Office planning examples	Page 48
Education planning examples	Page 49
<hr/>	
Quickly and simply configured	Pages 50 - 51
Refurbishment	Pages 52 - 53
Sustainability	Pages 54 - 55
Light management + sensors	Pages 56 - 57
Lighting Solutions & Services	Pages 58 - 59
<hr/>	
Trunking with IP20/IP50/IP54* protection rating	Pages 62 - 64
Accessories for trunking with IP20/IP50 protection rating	Pages 65 - 79
Contacts	Page 80

TRILUX

SIMPLIFY YOUR LIGHT



TRILUX benefits from decades of experience in the field of continuous line lighting. Our products have always been characterised by qualitative materials, in-house developed optics and photometric expertise. Our in-house laboratories and a brand new E-Line production line at our main plant in Arnsberg, Germany guarantee maximum product quality and at the same time offer the opportunity to realise individual customer needs.

However, it is not only the product that is constantly developed – with individual services, TRILUX ensures smooth flow in projects and is your ideal partner in the continuous line lighting sector. From initial project planning and advice about possible financing models to installation, commissioning and regular maintenance of the installation – we are here to support you in every phase of your project.

E-LINE PRO

HISTORY OF THE E-LINE

1992

1999

2004

2013

2019

2024



○ **1992**
T8 with 64 lm/W and 15,000 h service life

○ **1999**
T8 with 83 lm/W and 20,000 h service life

○ **2004**
T5 with 90 lm/W and 25,000 h service life

○ **2010**
T5 with 90 lm/W and 25,000 h service life

○ **2013**
LED with 132 lm/W and > 50,000 h service life

○ **2017**
LED with 169 lm/W and > 50,000 h service life

○ **2019**
LED with 190 lm/W and 100,000 h service life

○ **2024**
E-Line Pro – In Line with Your Business
With up to 207 lm/W and a service life of 100,000 hours, E-Line Pro sets new efficiency standards. Thanks to continuous wiring, luminaire inserts and modules can be flexibly positioned.

E-LINE PRO

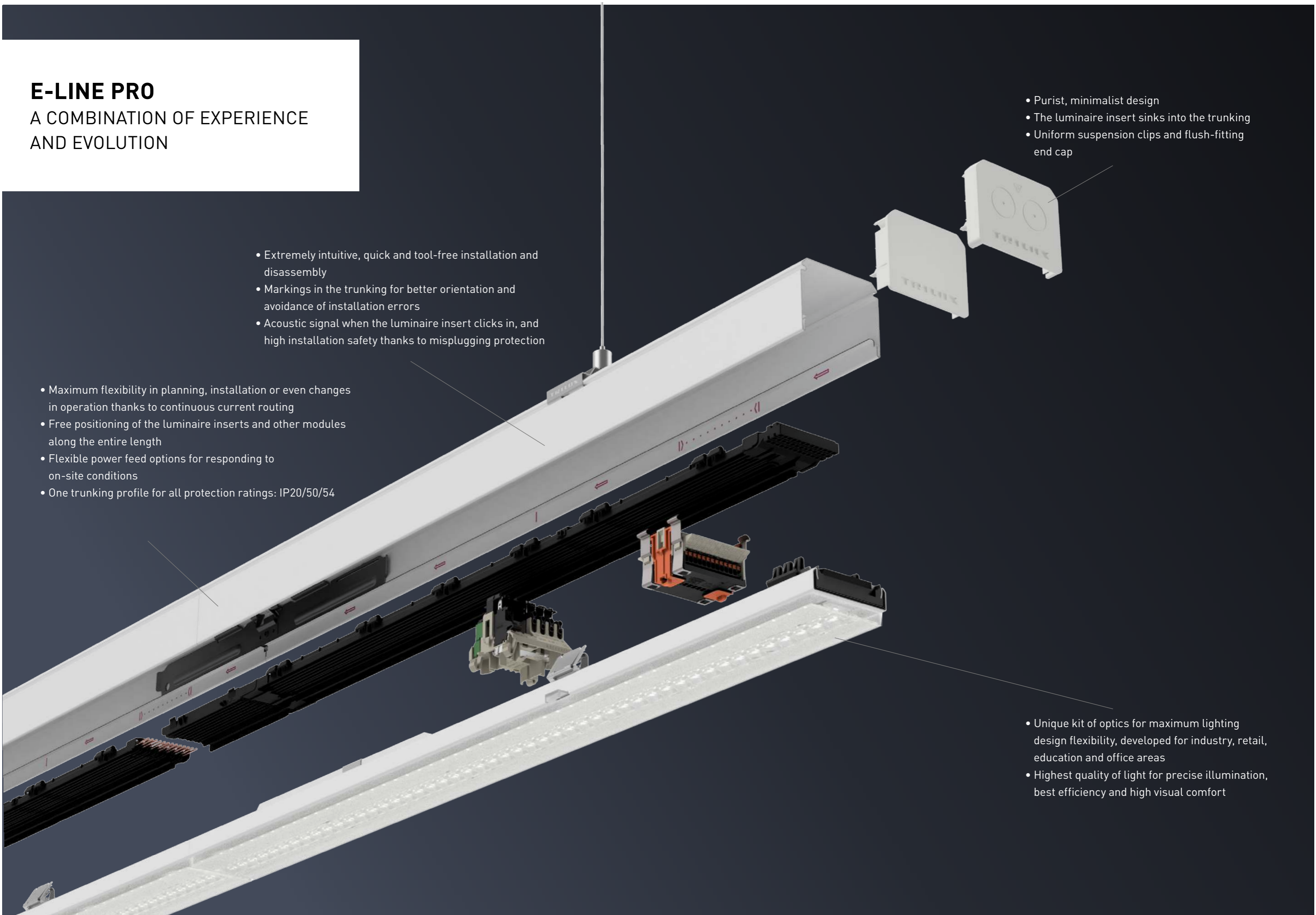
A COMBINATION OF EXPERIENCE
AND EVOLUTION

- Extremely intuitive, quick and tool-free installation and disassembly
- Markings in the trunking for better orientation and avoidance of installation errors
- Acoustic signal when the luminaire insert clicks in, and high installation safety thanks to misplugging protection

- Maximum flexibility in planning, installation or even changes in operation thanks to continuous current routing
- Free positioning of the luminaire inserts and other modules along the entire length
- Flexible power feed options for responding to on-site conditions
- One trunking profile for all protection ratings: IP20/50/54


- Purist, minimalist design
- The luminaire insert sinks into the trunking
- Uniform suspension clips and flush-fitting end cap

- Unique kit of optics for maximum lighting design flexibility, developed for industry, retail, education and office areas
- Highest quality of light for precise illumination, best efficiency and high visual comfort



SYSTEM OVERVIEW



 **Note:** The familiar E-Line Fix luminaire inserts and accessories will remain available in the portfolio, for example for refurbishment or expansion requirements. The existing portfolio can also be used for applications with a higher protection rating (IP64).

1 TRUNKING

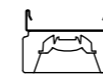


Trunking Pro

2 LUMINAIRE INSERTS



Lens optics



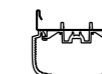
ConVision® Optics



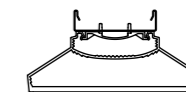
Opal optics



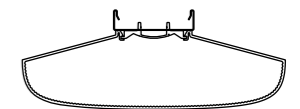
Opal optics



Prismatic optics

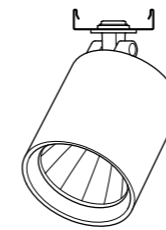


Prismatic optics



Prismatic optics

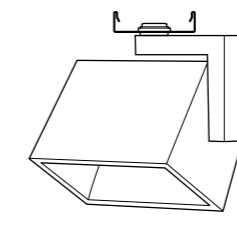
3 FUNCTION MODULES



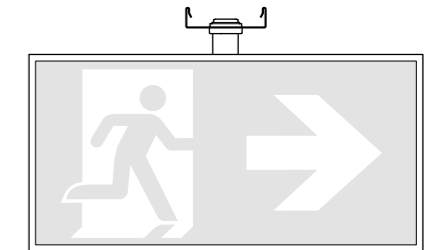
B.Veo



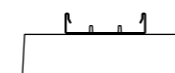
Lenty Plus



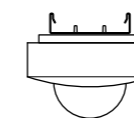
Grado



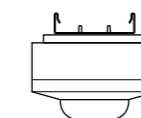
Pictogram



Mirona



Sensor IS Highbay



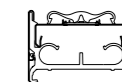
Sensor IR Quattro



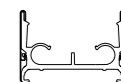
Sensor IR Micro



Emergency light



Indirect module

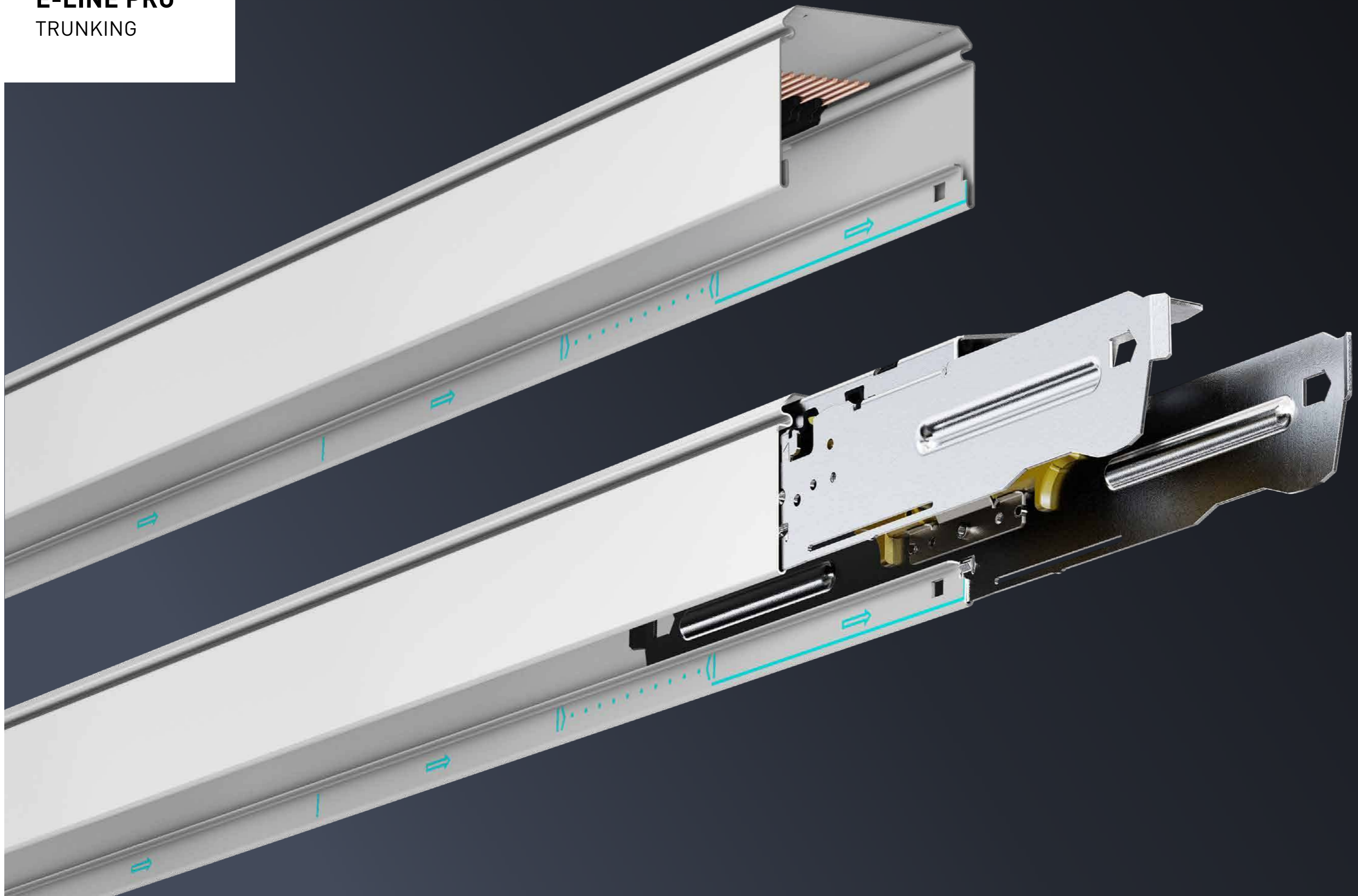


Cable channel

Find all known accessories in the online catalogue and an overview for downloading at www.trilux.com/e-line-pro

For further modules see from page 32.

E-LINE PRO
TRUNKING



TRUNKING



Recommendation:
reduced drilling points
through suspension
distances of up to 4 m.

Suspension distances vary depending on the type of luminaire insert/module.
For more detailed information please refer to the mounting instructions.

E-Line PRO | 7-pole | contactable along the entire length, also in the coupling area | IP20 | IP50 | IP54*



Trunking length of 368.5 mm, 737.5 mm, 1,475 mm, 2,212.5 mm, 2,950 mm or 4,425 mm

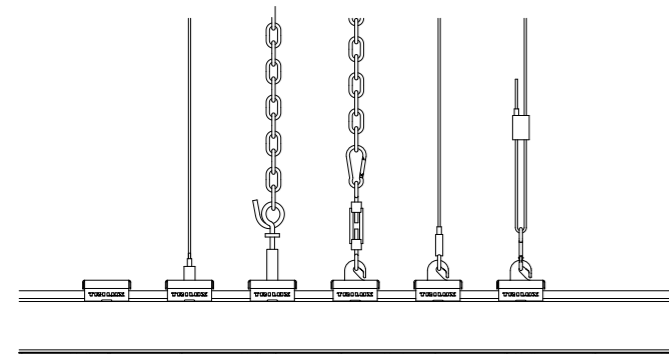
E-Line PRO | 13-pole | contactable along the entire length, also in the coupling area | IP20 | IP50 | IP54*



Trunking length of 368.5 mm, 737.5 mm, 1,475 mm, 2,212.5 mm, 2,950 mm or 4,425 mm

*coming soon

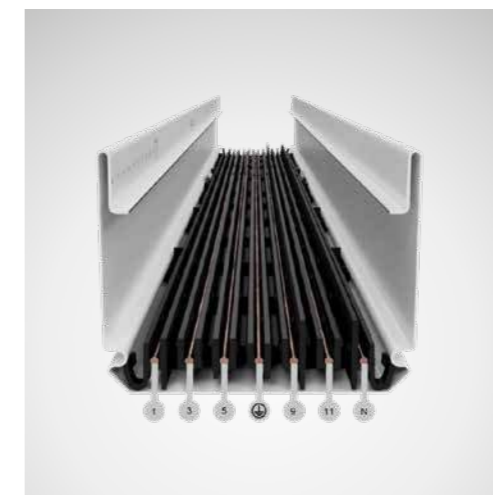
● black ○ white ● silver



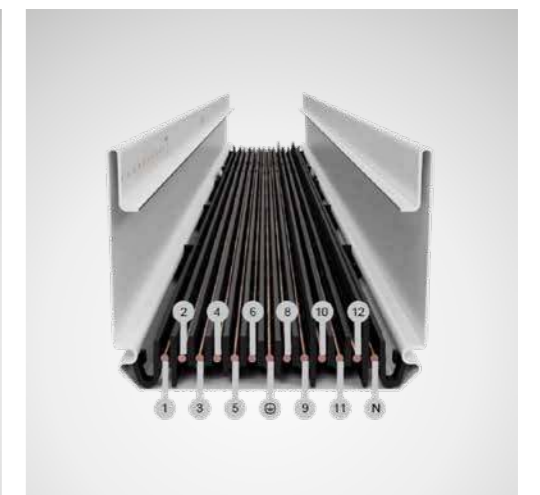
Various mounting options with uniform suspension clip design



E-Line Pro
A clear, purist design with flush-fitting end cap



7-pole wiring
7 x 2.5 mm²
3 separate circuits
2 control lines for DALI signal and other flexible combination options such as 1 separate circuit + one emergency lighting circuit and two control lines for DALI signal



13-pole wiring
13 x 2.5 mm²
3 separate circuits
2 control lines for DALI signal
2 independent emergency lighting circuits,
2 additional lines (freely available) and further flexible combination options

TRUNKING



- Flexible feeder with double deck
- 7-pole or 13-pole
- Through-wiring up to 13 lines is possible

- Free positioning in the trunking (marked areas)
- Feed-in the coupling area and at the start of trunking



078 VS
7- and 13-pole feeder (2.5 mm²) for rigid cables



078 VF
7- and 13-pole feeder (2.5 mm²) for flexible cables



- Tool-free release of the coupling and release of the electrical connector
- Insertion of two feeders for centre feed

for further accessories see page 78

Feed from above

Feed at face end

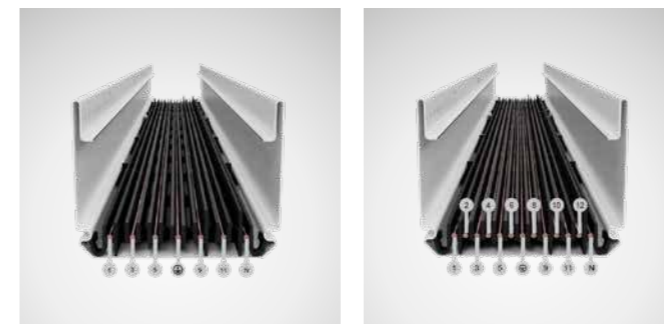


Markings on both sides for orientation during mounting

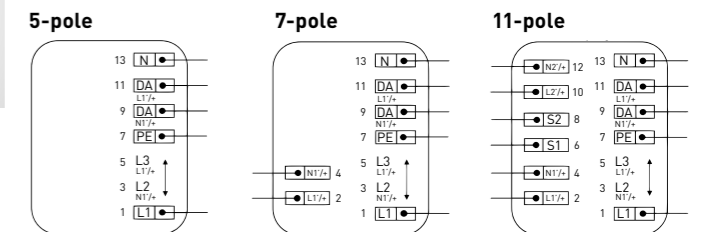
- Arrow to indicate the mounting direction (found on various components)
- |} ····· { | Areas for positioning the feeder
- | | Marking of the known grid dimension



Protective caps as contact protection for open cables are included with the power feed accessories.



Electrical tap, in various designs, can be flexibly equipped



Safety first: Emergency lighting in buildings is important. It must be possible to react flexibly to meet normative specifications but also ensure a sense of safety and security.

Wiring diagram for 7-pole and 13-pole trunking

Infeed	L1	L1'	L2	N1'	L3	S1	S2	DA	L2'	DA	N2'	N	
	(1)	(2)	(3)	(4)	(5)	(6)	⊕	(8)	(9)	(10)	(11)	(12)	
Female connector assignment	L1	L1'	L2	N1'	L3	S1	S2	DA	L2'	DA	N2'	N	
13-core	L1	L1'	L2	N1'	L3	S1	S2	DA	L2'	DA	N2'	N	
Female connector assignment	-	-	-	-	-	-	-	-	-	-	-	-	
7-core	..ET + UR	L1	L2	L3	⊕	N1'/-	L1'/+	N					
..ETDD + UR	L1	N1'/-	L1'/+	⊕	DA1	DA2	N						
..ET + EB	L1	L2	L3	⊕	-	L1'/+	N						
..ETDD + EB	L1	-	L1'/+	⊕	DA1	DA2	N						

For further information please refer to the mounting instructions

...UR

N	Neutral conductor
⊕	Protective conductor
L1	Circuit 1
L2	Circuit 2
L3	Circuit 3
DA	DALI conductor
L1'	Supply UR 1
N1'	Supply UR 1
L2'	Supply UR 2
N2'	Supply UR 2

...EB1, ...EB3

N	Neutral conductor
⊕	Protective conductor
L1	Circuit 1
L2	Circuit 2
L3	Circuit 3
DA	DALI conductor
L1'/L2'	Loading circuit EB3 / EB1*

*note on EB3 / EB1: use the same circuit for general and emergency lighting.
*EB1 available as emergency light module (standby luminaire)

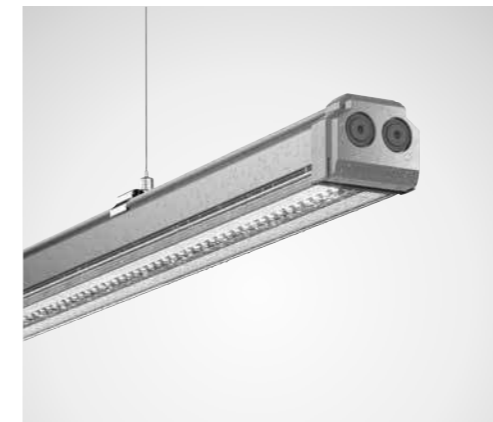
IP VARIANTS

Coming soon:
IP54 variant of the E-Line Pro



Every E-Line Pro luminaire insert is already IP50 ready. A sealing plate between the luminaires, coupling seals and the matching end cap make the entire system IP50 all round.

This IP50 version protects against the ingress of dust and the D mark guarantees a limited luminaire surface temperature. E-Line Pro is also suitable for use in operating areas with a fire hazard as well as dusty production environments, e.g. joiner's workshops and cutting departments.



Very tough: the E-Line Fix IP64 is not only completely dustproof, but also protected against heavy splashwater from all sides. Ideal for areas with high safety requirements or rough general conditions. The trunking can be combined with Fix luminaire inserts and is available with female connector spacers L150 and L225 in 7-core through-wiring and 7+7-core through-wiring.

- 9 different optical systems for 4-18 m mounting height (combinable with all lens optics)
- Compliant to DIN EN ISO 12944-2, corrosion protection of up to 33 years (corrosivity category C3)



078IP50 BL

IP50 blind cover



078IP50 KS

IP50 end cap



078IP50 SB

Sealing plate



078IP50 SC

Coupling sealing



07650 KD IP64

Coupling sealing



07650 KS IP64

IP64 end cap



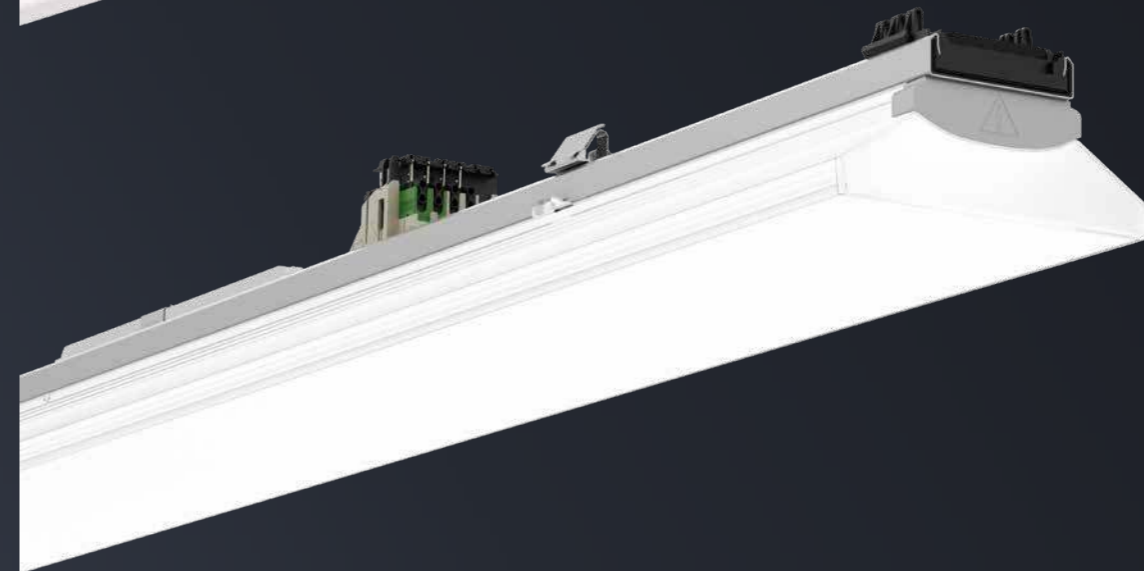
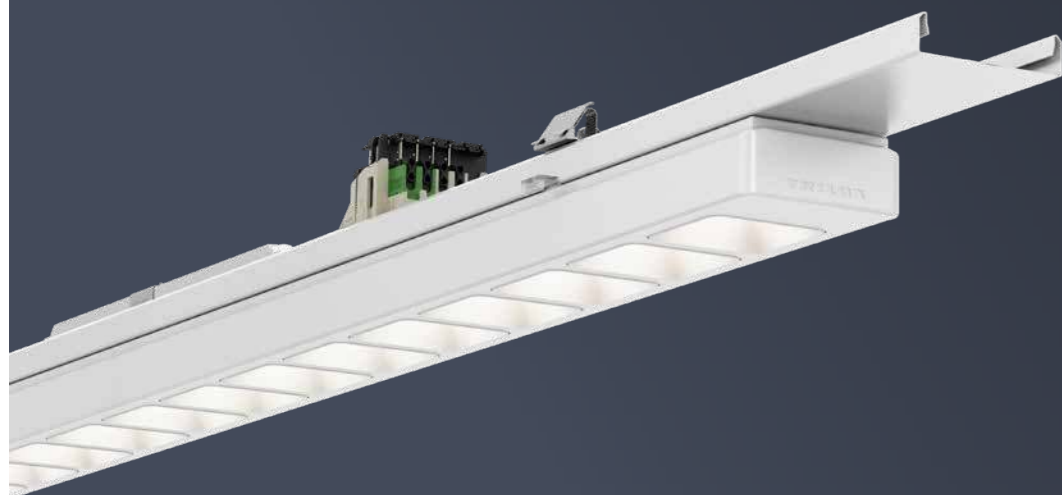
07650 TA IP64

Cover

The length of the TA cover must be selected analogue to the trunking length

* further information from page 65

E-LINE PRO
LUMINAIRE INSERTS



LUMINAIRE INSERTS

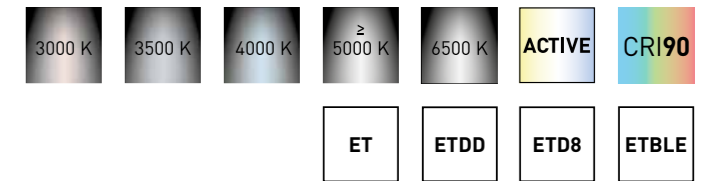


Fix electrical tap
 • For refurbishment on existing E-Line trunking systems



Pro electrical tap
 • Flexible tap in different versions from 3-pole to 11-pole design
 • Safe, tool-free circuit selection due to push circuit shifter
 • Free configuration of the tap

- Efficiency of up to 207 lm/W
- Luminous flux packages between 1,500 and 24,000 lm
- Configuration of lumen packages in 500 lm increments (with 1,500 - 10,000 lm) or 1,000 lm increments (with 10,000 - 24,000 lm)



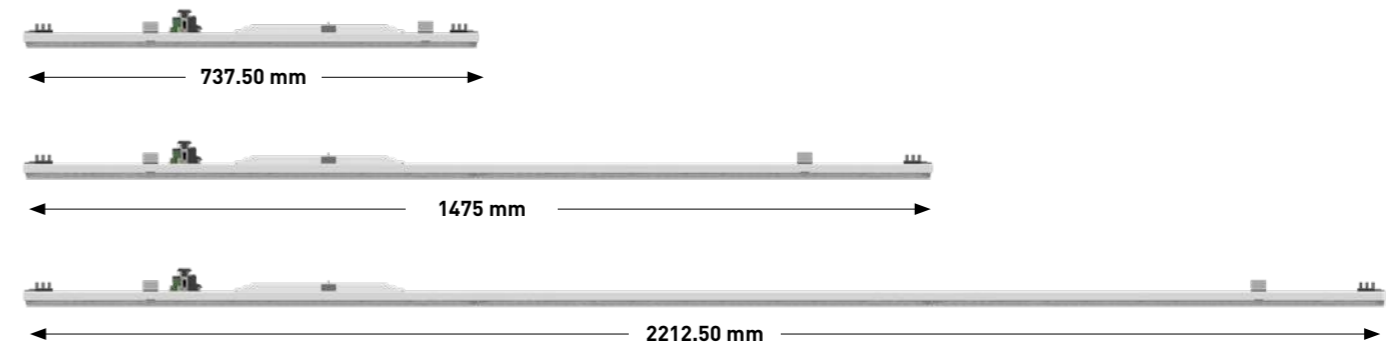
All E-Line Pro luminaire inserts have a pre-assembled seal and are therefore always IP50-ready (except ConVision®). In addition, all E-Line variants are suitable for applications in HACCP, IFS and/or BRC Global Standard Food certified companies in the food and beverage industry in accordance with DIN 10500, and are ENEC-certified.



Snap springs

A special feature of E-Line: the spring catch snaps into place after mounting and provides acoustic and visual feedback that it is correctly inserted.

The luminaire insert of E-Line is available in three different module lengths: 737.50 mm, 1.475 mm and 2.212,50 mm.

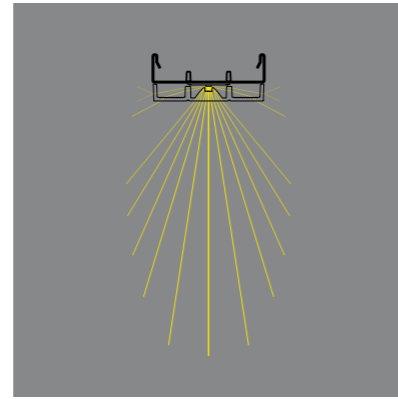


737.50 mm
 For more flexibility in planning.

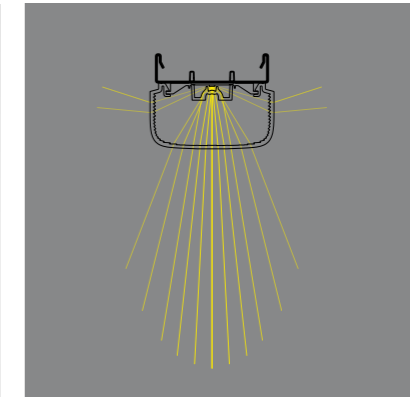
1475 mm
 Ideal for refurbishment projects thanks to 1:1 replacement.

2212.50 mm
 For cost-efficient projects.

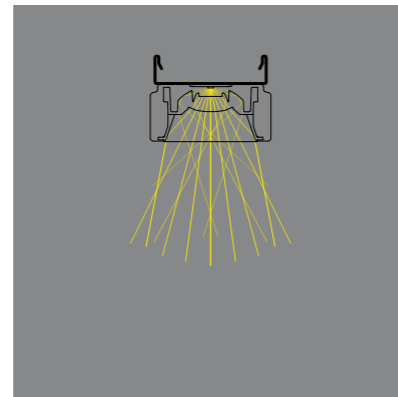
OPTICS / LIGHTING TECHNOLOGIES



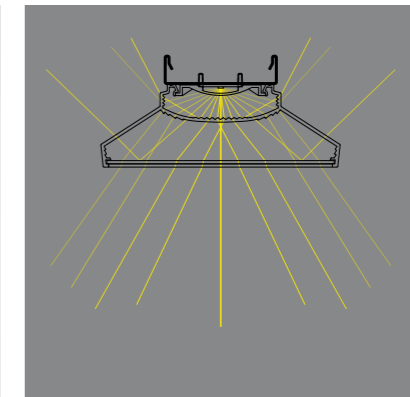
- Lens optics**
- Maximum efficiency optics with precise light distribution curves
 - Mounting heights from 2.5 m to 20 m
 - 10 application-specific optics with uniform appearance



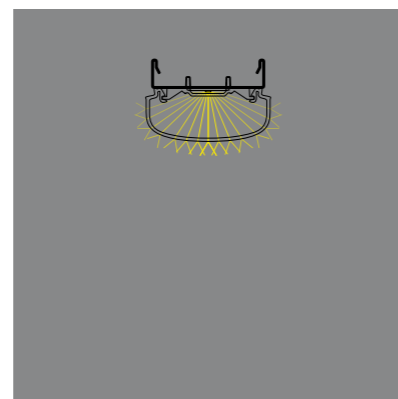
- Prismatic optics**
- For optimum visual comfort and highest quality of light
 - Up to 15% indirect component
 - Mounting heights from 2.5 m to 12 m
 - Uniform light without visible LED dots
 - Precise light distributions for various applications



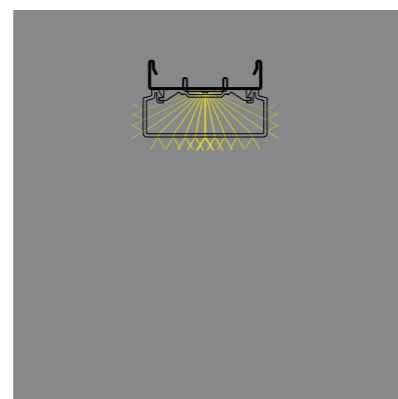
- ConVision optics**
- Unique lens technology consisting of two-part optical system
 - Maximum quality of light
 - Design and creative freedom
 - Customised light distributions for office and retail



- Prismatic optics (PMW)**
- Special lighting technology developed for maximum visual comfort with no reflected glare
 - Uniform illumination
 - Up to 28% indirect component
 - Three-part optical system
 - UGR > 19 to 8,000 lm / L150



- Prismatic optics (PWW)**
- Optical system developed for environments with maximum uniformity requirements, for example in automotive production
 - UGR < 19



- Opal optics**
- Uniform appearance without visible LED dots
 - Flat design with either square or round diffuser
 - For mounting heights from 2.5 m to 4 m
 - Up to 15% indirect component
 - Lambertian light distribution for uniform illumination

OPTICS OVERVIEW

Lens											Diffuser	
Planar lighting in industry, education and retail	Picking rack storage and planar lighting in industry and retail	Planar lighting in industry, education and retail	Logistics areas, planar lighting in industry	Logistics and storage areas	Highbay racking		Assortment aisle	Assortment aisle, shelf areas in industry	Panel lighting, peripheral areas and merchandise walls in retail	Office and educational areas, checkout areas, industry with UGR<19	Planar lighting in industry, retail and ancillary areas in office and educational buildings	Planar lighting in industry, retail and ancillary areas in office and educational buildings
LWV very wide distribution	LMW medium wide distribution	LW wide distribution	LN narrow distribution	LVN very narrow distribution	LEN extremely narrow distribution		LDAW double asymmetric wide distribution	LDAN double asymmetric narrow distribution	LAN asymmetric narrow distribution	LW19 wide distribution [19]	DL lambertian distribution	DSL narrow lambertian distribution
Mounting height 3 - 6 m	Mounting height 3 - 8 m	Mounting height 4 - 8 m	Mounting height 8 - 12 m	Mounting height 9 - 13 m	Mounting height 12 - 20 m		Mounting height 2.8 - 3.5 m	Mounting height 3.6 - 5 m	Mounting height 2.8 - 3.5 m	Mounting height 2.8 - 3.5 m	Mounting height 3 - 6 m	Mounting height 2.5 - 4 m

OPTICS OVERVIEW

ConVision® lens				Prismatic					
Office and educational areas, checkout areas with UGR<19	Planar lighting in retail, ancillary areas in office and educational buildings	Panel lighting, peripheral areas and merchandise walls in retail	Assortment aisle	Automotive and other industrial sectors	Office and educational areas, automotive and other industrial sectors		Planar lighting in industry, retail and ancillary areas in office and educational buildings	Logistics areas, planar lighting in industry	Office and educational areas, checkout areas, industry with UGR<19
CLW19 wide distribution (19)	CLW22 wide distribution	CLWW wallwasher	CLDAW double asymmetric wide distribution	PWW wide distribution	PMW medium wide distribution		PW wide distribution	PVN narrow distribution	PW19 wide distribution (19)
Mounting height 2.8 - 3.5 m	Mounting height 2.8 - 5 m	Mounting height 2.8 - 3.5 m	Mounting height 2.8 - 3.5 m	Mounting height 2.5 - 4 m	Mounting height 2.5 - 8 m		Mounting height 3 - 6 m	Mounting height 8 - 12 m	Mounting height 3 - 6 m

E-LINE PRO
FUNCTION MODULES



FUNCTION MODULES



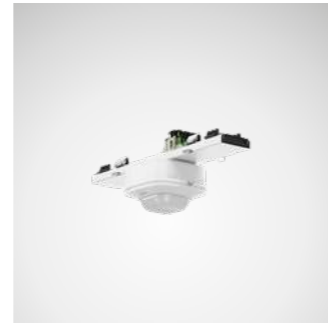
- LiveLink module**
- Intuitive and reliable control of all light points
 - Simple planning and operation of the control of complex lighting systems
 - Quick plug & play integration into trunking



- IR Micro**
- DALI-2 input device
 - Mounting height max. 5 m
 - Factory pre-assembled on a gear tray
 - Simple plug & play commissioning



- IS 3360 MX Highbay**
- DALI-2 input device
 - Mounting height max. 14 m
 - Tangential range $\varnothing 36$ m
 - Factory pre-assembled on a gear tray
 - Simple plug & play commissioning

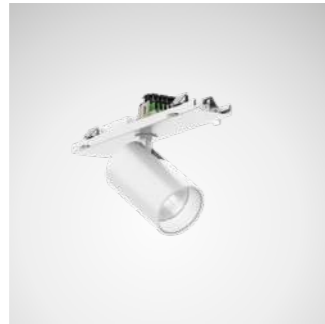


- Quattro HD**
- DALI-2 input device
 - Mounting height max. 2.5-10 m
 - Factory pre-assembled on a gear tray
 - Simple plug & play commissioning

- IS 345 MX Highbay**
- DALI-2 input device
 - Mounting height max. 16 m
 - Tangential range 30 x 4 m



- B.Veo**
- Perfect display of merchandise due to five different beam angles



- Lenty Plus**
- Lens technology for targeted and focused illumination of merchandise
 - Various application-specific light distributions ensure ideal contrasts



- Grado**
- Uniform illumination of graphics, displays and visuals due to specially developed diffuser reflector



- INOTEC/CEAG emergency light module**
- Emergency light modules in combination with INOTEC 230V or 24V/CEAG 230V emergency lighting systems
 - Different lighting technologies for reliable illumination of areas and escape and rescue routes with different mounting heights (2.5 m - 12 m)



- Escape and rescue route marking (inotec)**
- For marking escape and rescue routes
- Two different ranges: 20 m and 30 m
 - Can be swivelled in 45° steps
 - Simple plug & play integration



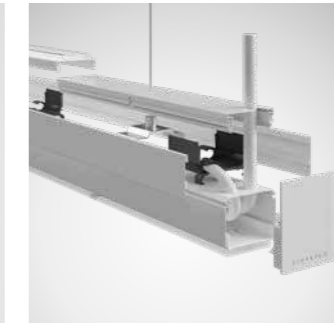
- Oleveon Fit/ Aragon Fit adapter**
- Uniform, glare-free light for damp rooms due to 3D prismatic technology
 - Simple integration using an adapter



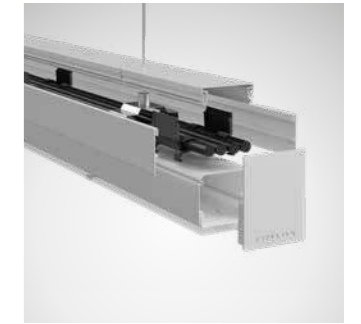
- Mirona Fit insert**
- Integration in E-Line Pro trunking (1,475 mm or 2,212.50 mm) possible
 - Use in halls with especially high ceilings or extreme temperatures



- Indirect module**
- For pleasant indirect light, especially in office applications
 - Flexible module in length L75 with application-optimised optic for uniform illumination
 - Rounded design with flush-fitting end cap



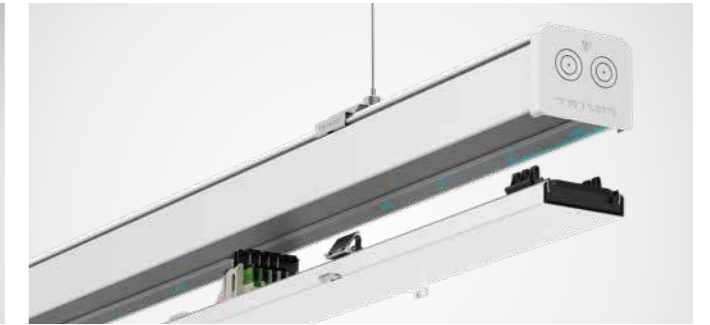
- Cable channel**
- Accommodates additional cables on the rear of the trunking
 - Modules can be used individually as cable holders, U-profiles or closed cable channels



- 3-circuit adapter**
- Module length 1,475 mm
 - Optionally available for switchable and dimmable spotlights
 - Simple, tool-free installation



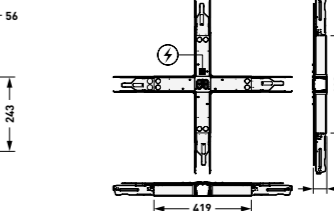
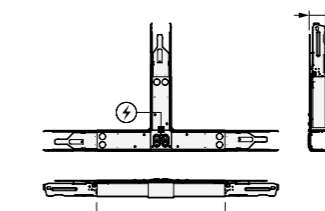
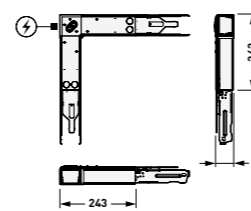
- Fixpoint adapter**
- Adapter for integrating various 3-circuit track spotlights (ET)



- Universal module**
- With 5-pole tap for flexible integration of additional components such as cameras, loudspeakers etc.
 - Simple plug & play power supply



- L, T and X-connectors**
- Simple implementation of numerous lighting variants
 - Can be customised according to design and photometric requirements



E-LINE PRO EMERGENCY LIGHT



In addition to the general lighting of a building, safety lighting is also required in almost every building project.

This is required for example in the

- Fire protection concept
- Building law (state building regulations etc.)
- Occupational safety law
- Accident prevention law

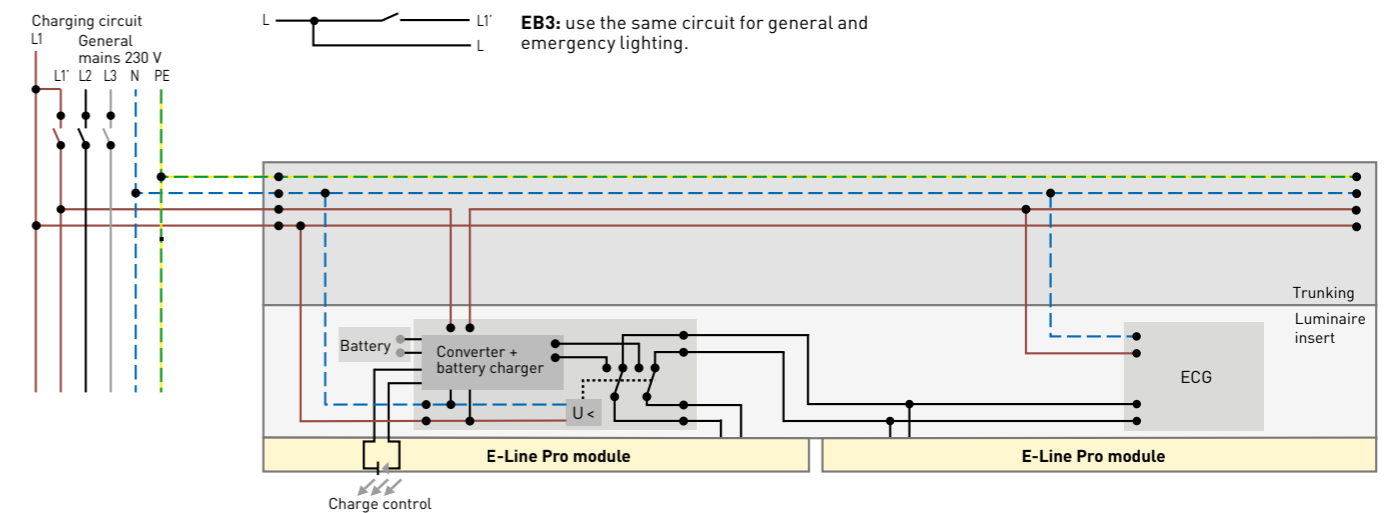
As a rule, battery-supported systems are used as a power source for safety purposes, which are intended to achieve the following protection goals:

- Leaving a building safely in the event of a general power supply failure
- The safe finishing of potentially hazardous work processes
- Locating fire-fighting and safety facilities (e.g. first aid points)

EMERGENCY LIGHT

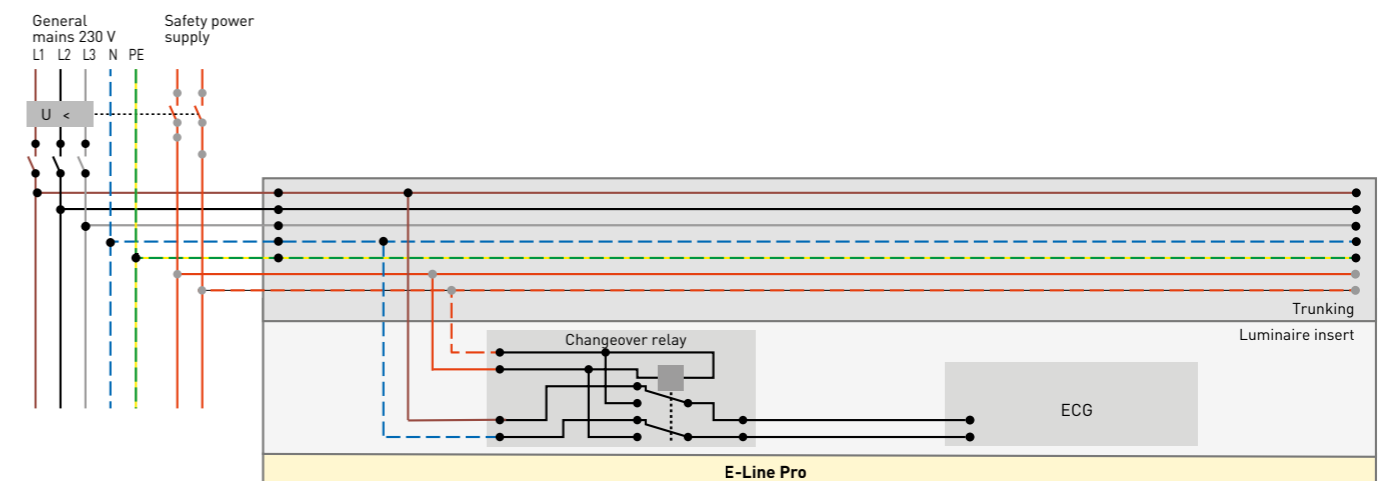
E-Line Pro with single supply unit (single battery)

- Connection via the unswitched phase conductor and neutral conductor
- Integrated rechargeable battery is charged regardless of the luminaire's switch-on condition
- Mains function with charge control is thus permanently monitored
- Separate safety power supply network can be omitted
- In case of failure of the general power supply, an LED module is supplied with the energy of the single battery for emergency lighting in non-maintained operation



E-Line Pro with changeover relay in maintained and non-maintained operation

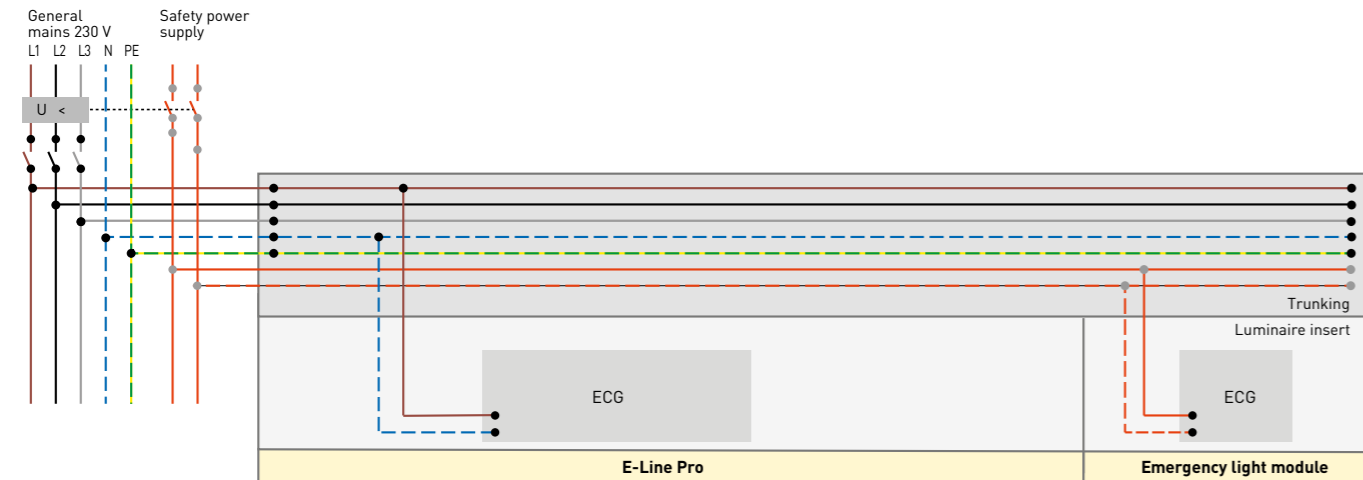
- Due to voltage monitoring, e.g. in central or group battery systems, the safety power supply is switched on with 220 V direct voltage or 230 V alternating voltage if the general power supply fails
- The luminaires are powered by the energy of the battery system



EMERGENCY LIGHT

Emergency light modules for E-Line Pro

- Are connected to the general mains and to the safety power supply
- In the event of power failure, the safety power supply is switched on due to voltage monitoring
- The module with integrated ECG is supplied independently of the mains
- Depending on the safety power supply, the luminaire is operated in maintained or non-maintained mode



Single battery (EB1/EB3) / central battery with changeover relay

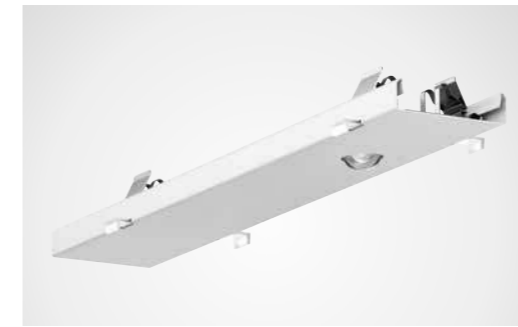
Module length	Beam angle	Switching	Type of emergency light	Luminous flux (lm/% of luminaire luminous flux)	illuminated unit
Single battery (EB1)					
L75	same as E-Line Pro optic	ET	EB1	100% (standby luminaire)	All LEDM
L75	same as E-Line Pro optic	ETDD	EB1	100% (standby luminaire)	All LEDM
Single battery (EB3)					
L150	same as E-Line Pro optic	ET	EB3	414 lm	1 LEDM
L150	same as E-Line Pro optic	ETDD	EB3	414 lm	1 LEDM
L225	same as E-Line Pro optic	ET	EB3	414 lm	1 LEDM
L225	same as E-Line Pro optic	ETDD	EB3	414 lm	1 LEDM
Central battery with changeover relay					
L150	same as E-Line Pro optic	ET	UR	100%	All LEDM
L150	same as E-Line Pro optic	ETDD	UR	15%	All LEDM
L225	same as E-Line Pro optic	ET	UR	100%	All LEDM
L225	same as E-Line Pro optic	ETDD	UR	15%	All LEDM

Note:
 All switchable luminaire inserts (ET) have 100% in DC operation.
 All dimmable luminaire inserts (not UR / EB1 / EB3) have 15% in DC operation.
 Does not apply to EB1, EB3 or UR variants.

Central battery with emergency light module (INOTEC/CEAG)

- E-Line Pro emergency light modules are used in combination with INOTEC 230V or 24V/CEAG 230V emergency lighting systems
- The module can be combined with the trunking using the familiar snap fasteners
- Different lighting technologies ensure reliable illumination of escape routes at different mounting heights (2.5 m - 12 m)

EMERGENCY LIGHT



	Escape routes		Areas	
	Asymmetric Low Bay (ALB)	Asymmetric High Bay (AHB)	Symmetric Low Bay (SLB)	Symmetric High Bay (SHB)
Mounting height recommendation	2.5 - 6 m	2.5 - 12 m	2.5 - 6 m	2.5 - 12 m

Module length	Beam angle	Type of emergency light	Luminous flux (lm/% of luminaire luminous flux)	illuminated unit	compatible with emergency lighting systems (V)
L37 Inotec	ALB	UR	139 lm	Light of emergency light module	24 V/230 V
L37 Inotec	SLB	UR	322 lm	Light of emergency light module	24 V/230 V
L37 Inotec	AHB	UR	287 lm	Light of emergency light module	24 V/230 V
L37 Inotec	SHB	UR	545 lm	Light of emergency light module	24 V/230 V
L37 CEAG	ALB	UR	250 lm	Light of emergency light module	230 V
L37 CEAG	SLB	UR	250 lm	Light of emergency light module	230 V
L37 CEAG	AHB	UR	282 lm	Light of emergency light module	230 V
L37 CEAG	SHB	UR	282 lm	Light of emergency light module	230 V

SLB = Symmetric Low Bay, SHB = Symmetric High Bay, ALB = Asymmetric Low Bay, AHB = Asymmetric High Bay

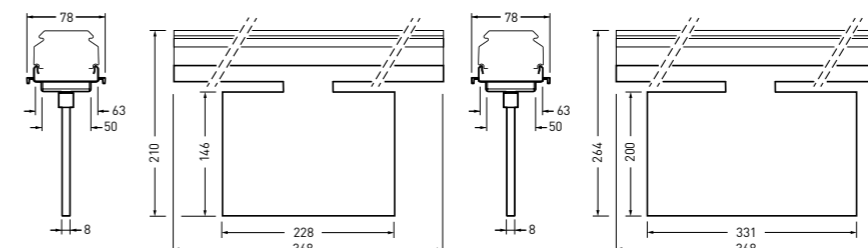
	INOTEC	CEAG
Luminous flux (lm)	216 lm	
	288 lm	250 lm
	364 lm	282 lm
	476 lm	
Connected load	4 W	2 W 3.9 W
Light colour	4,000 K	4,000 K
IP	IP20 IP50	IP20
Temperature	-15 °C to +45 °C	-20 °C to +40 °C
Colour	white	white

Rescue and escape route marking (INOTEC)

- LED escape sign panel luminaire with frameless pictogram panel
- Uniform illumination of pictogram
- Slender housing made of white UV- and glow wire-resistant polycarbonate for easy integration into the E-Line luminaire system



Detection range	20 m, 30 m
IP	IP20
Light colour	6500 K
Light source	12 x 0.1 W LED module
Temperature	-15 °C to +40 °C
Colour	white, black, silver
Alignment	in 45° steps
Pictograms	9 different arrow directions



E-LINE PRO

TECHNICAL FEATURES



Features	E-Line Pro
Energy efficiency	up to 170 lm/W HE; HE+ (Industry) to 207 lm/W
Individually configurable luminous flux packages	1,500 lm to 24,000 lm 1,500-10,000 lm: steps of 500 lm 10,000-24,000 lm: steps of 1,000 lm
Service life	50,000 h / L80 / tq 35 °C HE 70,000 h / L80 / tq 50 °C HE+ (Industry) 100,000 h / L80 / tq 50 °C
Colours	white 01 silver 03 black 05
Colour rendering	Ra > 80 HE; HE+ (Industry) Ra > 80 / 90 / ACT
Optics (HCL-capable)	10 lens optics 4 ConVision® optics 2 opal optics 5 prismatic optics
Wiring (through-wiring)	7 / 13
Protection rating	IP20 / IP50 / IP54* *coming soon
Module dimensions	Module 750: 738 mm Module 1500: 1,475 mm Module 2250: 2,212.50 mm
Ambient temperature	HE -25 °C to 35 °C HE+ (Industry) -25 °C to 50 °C
Suspension distances	up to 4.0 m
Mounting method	Surface- and suspended mounting using various fasteners, see page 70
Further features	Spotlight-, track-, sensor-, light management-, emergency light- and blind module inserts, indirect module, cable channel, Fixpoint-, weather-proof luminaire-, Mirona Fit- and X-T-L connectors and many more

HE = High Efficiency
HE+ = High Efficiency (Industry)

Note: HE+ = High Efficiency (Industry)
All switchable luminaire inserts (ET) have 100% in DC operation.
All dimmable luminaire inserts (not UR / EB1 / EB3) have 15% in DC operation.
Does not apply to EB1, EB3 or UR variants.

Maximum quantity of luminaire inserts per circuit for various automatic circuit breakers

Cable cross-section	Fusing	Automatic circuitbreaker	Number of luminaire inserts on one circuit*
2.5 mm ²	16 A	Type B	16 - 36 pcs.
2.5 mm ²	16 A	Type C	26 - 55 pcs.
1.5 mm ²	10 A	Type B	10 - 23 pcs.
1.5 mm ²	10 A	Type C	16 - 33 pcs.

*please refer to the data sheet for the exact number of luminaire inserts per circuit

NOMENCLATURE

Luminaire inserts

78		IP50		ACT		HE+		CLW22		-05		50-140		840		ET		EB3		L225		01		p10	
Product name		Protection rating (IP)		Active (HCL)		Service life		Lighting technology and light distribution		Colour of light chamber with ConVision® lens		Luminous flux (lm)		Light colour (K) and colour rendering (CRI)		Switching type		Emergency light		Luminaire length		Colour		Packaging	
78 E-Line Pro 7651 E-Line Fix (for refurbishment projects etc.)		Without IP20 IP50 IP50 IP54 IP54		Without No Active (HCL) ACT Active (HCL)		Without 50,000 h HE HE (70,000 h) HE+ HE+ 100,000 h		DL Diffuser – Lambertian DSL Diffuser Slim – Lambertian PW Prismatic – Wide PVN Prismatic – Very Narrow PWW Prismatic Wide – Wide PW19 Prismatic – Wide (19) PW22 Prismatic – Wide (22) PMW19 Prismatic Medium – Wide (19) PMW22 Prismatic Medium – Wide (22) LVW Lens – Very Wide LMW Lens – Medium Wide LW Lens – Wide LN Lens – Narrow LVN Lens – Very Narrow LEN Lens – Extremely Narrow LW19 Lens – Wide (19) LW22 Lens – Wide (22) LDAN Lens – Double Asymm. Narrow LAN Lens – Asymmetric Narrow LDAW Lens – Double Asymmetric Wide CLW19 ConVision Lens – Wide (19) CLW22 ConVision Lens – Wide (22) CLWDA ConVision Lens – Double Asymmetric CLWW ConVision Lens – Wallwasher		01 White 03 Silver 05 Black		15 1500 20 2000 25 2500 30 3000 35 3500 40 4000 45 4500 50 5000 55 5500 60 6000 65 6500 70 7000 75 7500 80 8000 85 8500 90 9000 95 9500 100 10000 110 11000 120 12000 130 13000 140 14000 150 15000 160 16000 170 17000 180 18000 190 19000 200 20000 210 21000 220 22000 230 23000 230 24000 30-120 ML 3000-12000 40-160 ML 4000-16000		830 CRI80 3,000K 835 CRI80 3,500K 840 CRI80 4,000K 850 CRI80 5,000K 865 CRI80 6,500K 930 CRI90 3,000K 935 CRI90 3,500K 940 CRI90 4,000K 950 CRI90 5,000K 965 CRI90 6,500K Active (CRI80) 2,700K – 6,500K		ET ET ETDD ETDD ETBLE ETBLE (Bluetooth Low Energy) ETDD8 ETDD8		Without emergency light EB3 Single battery 3h UR Switching relay		L75 737 mm L150 1,474 mm L225 2,211 mm		01 White 03 Silver 05 Black		Without optimised project packaging p4 pack of 4 p6 pack of 6 p8 pack of 8 p10 pack of 10	

Trunking

078		L450		E		13LV		01	
Product name		Trunking length		Coupling		Wiring		Colour	
078 E-Line PRO 07650 E-Line Fix		L37 368.8 mm L75 737.5 mm L150 1,474 mm L225 2,211 mm L300 2,950 mm L450 4,425 mm		E without coupling Without with coupling		U Unwired 7LV 7 conductors 13LV 13 conductors		01 White 03 Silver 05 Black	

E-LINE PRO

PLANNING EXAMPLES



Industry



Office



Retail



Education

EXAMPLE: INDUSTRY

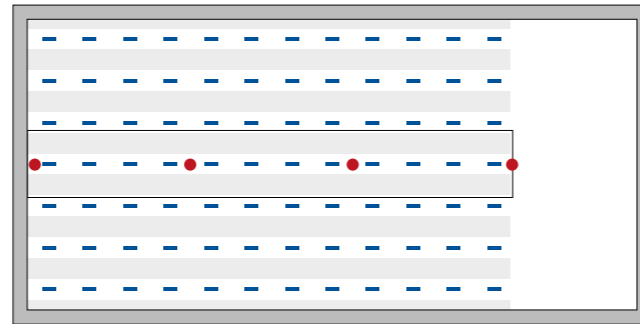
Basis for planning example: Logistics

Room height.....14.00 m
 Shelf height.....12.50 m
 Aisle length.....80.00 m
 Aisle width.....3.40 m

Normative requirement

$E_m > 150 \text{ lx} - U_o > 0.40$
 UGR < 22

E-Line Pro luminaire inserts —
 Sensor ●



LED continuous line including light management with factory-wired trunking (continuous 7-core through-wiring) equipped with dimmable luminaire inserts and blind units (LBBL), IP20 protection rating

Order example logistics (per aisle)

Quantity	TOC	Designation	Description
12	103 510 80	78IP50 LEN 180-840ETDD L225 01	E-Line Pro luminaire insert, 2212.5 mm, extremely narrow distribution, 18,000 lm, 4,000 K, DALI dimmable, white
17	84 507 00	078 L450 7LV 01	Trunking with continuous 7-core through-wiring, pre-assembled coupling and electrical connector, white
1	84 973 00	078 VS-7 vp	Feeder element for rigid connection cables. 7-pole version, Cable cross-sections 2.5 mm ² . Including MVM end caps.
2	84 977 00	078 KS 01	End cap IP20, white
18	84 812 00	078 BL L225 01	Blind cover made of PVC, white
4	84 809 00	078 BL L187 01	Blind cover made of PVC, white
23	84 254 00	E03SKX 078	Suspension clip is height-adjustable without tools for chain suspension
4	84 459 00	78IP50 +LLWS IS 345 MX Highbay L37 01	Pre-assembled LiveLink sensor unit with integrated PIR presence sensor for connecting to a LiveLink control unit, for high-resolution presence detection, white.

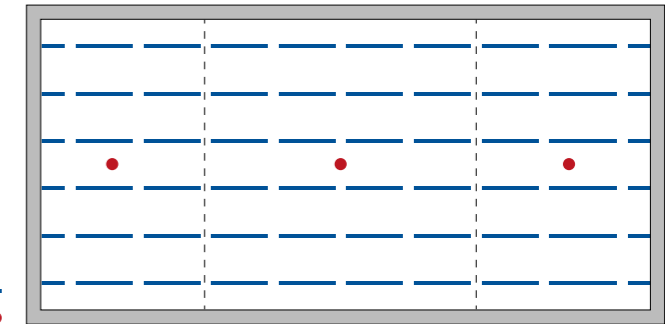
Basis for planning example: Production hall with saw-tooth roof

Room height.....6.00 m
 Room length.....120.00 m
 Room width.....60.00 m

Normative requirement

$E_m > 300 \text{ lx} - U_o > 0.50$
 UGR < 22
 IP50

E-Line Pro luminaire inserts —
 Sensor ●



LED continuous line including light management with factory-wired trunking (continuous 7-core through-wiring), equipped with dimmable luminaire inserts, IP50 protection rating, suitable for use in operating facilities with fire hazard in accordance with DIN EN 60598-2-24 (D marking)

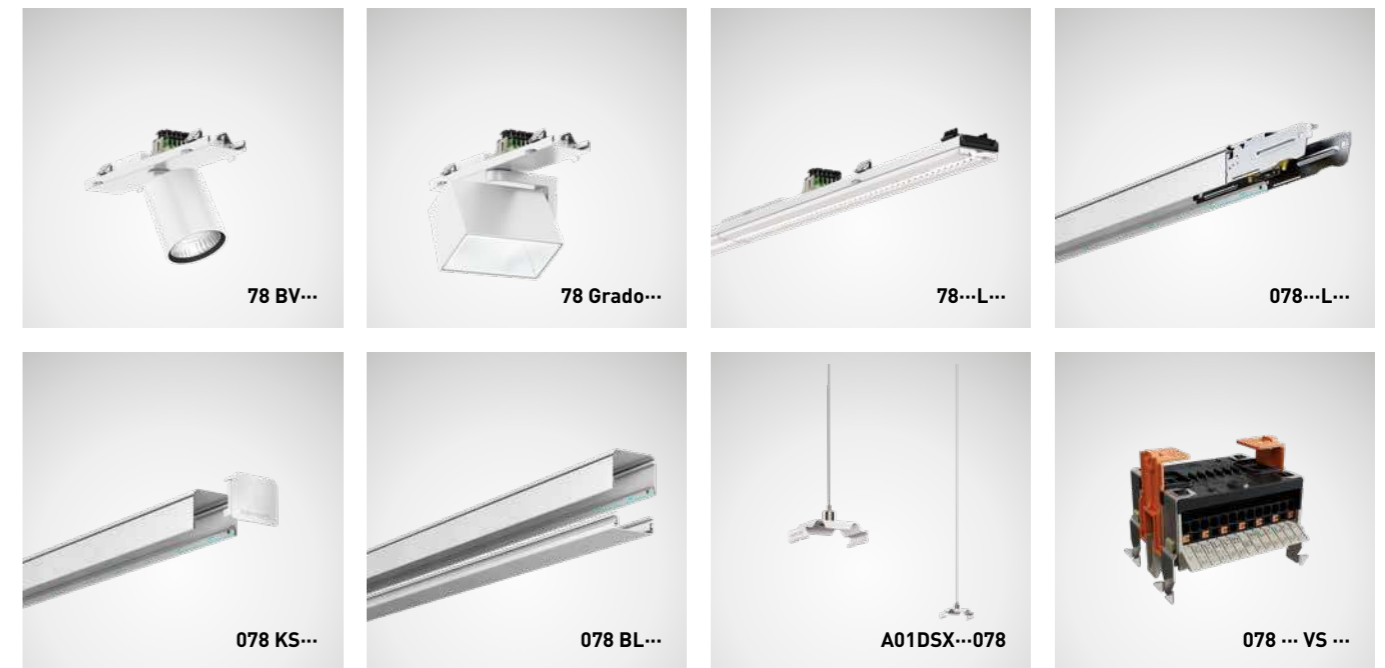
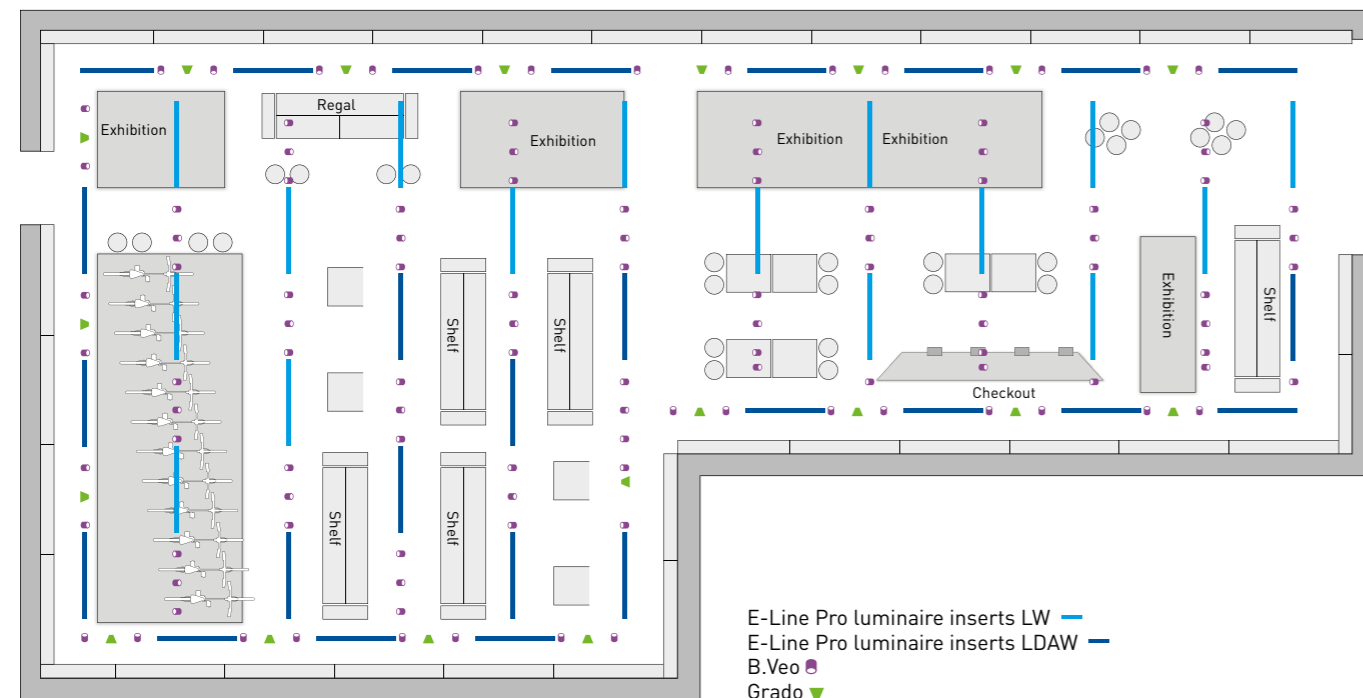
Order example production hall

Quantity	TOC	Designation	Description
270	103 510 82	78IP50 HE LW 100-840ETDD L225 01	E-Line Pro luminaire insert, IP50 protection rating, 2212.5 mm, wide distribution, 10,000 lm, 4,000 K, DALI dimmable, white
162	84 507 00	078 L450 7LV 01	Trunking with continuous 7-core through-wiring, pre-assembled coupling and electrical connector, white
6	84 973 00	078 VS-7 vp	Feeder element for rigid connection cables. 7-pole version, Cable cross-sections 2.5 mm ² . Including MVM end caps.
12	84 980 00	078IP50 KS 01	End cap, IP50 protection rating, white
51	84 820 00	078IP50 BL L225 01	Blind cover made of PVC, IP50 protection rating, white
3	84 819 00	078IP50 BL L187 01	Blind cover made of PVC, IP50 protection rating, white
216	84 254 00	E03SKX 078	Suspension clip height-adjustable without tools for chain suspension
3	84 461 00	78IP50 +LLWS Quattro HD L37 03	Pre-assembled LiveLink sensor unit with integrated PIR presence sensor and light sensor for connecting to a LiveLink control unit, for daylight-dependent control and high-resolution presence detection, IP50 protection rating, white
323	89 127 00	078IP50 SB 05	IP50 sealing plate
161	89 128 00	078IP50 SC 01	Coupling seal, white

EXAMPLE: RETAIL

Basis for planning example: Retail store

Room height.....	4.00 m
Mounting height.....	3.20 m
Shelf height.....	1.60 m - 1.80 m
Aisle width.....	2.20 m



Variable LED continuous line with factory-wired trunking (7-core wiring), equipped with luminaire inserts specifically for retail lighting, spotlights for accentuation and graphics lighting, IP20 protection rating

Order example retail store

Quantity	TOC	Designation	Description
113	87 638 40	78 BV G2 RF-MF 30-840 M35 ET 01	E-Line Pro spotlight B.Veo, 368.5 mm, 4,000 lm, 4,000 K, switchable, white Reflector, medium flood, 3D faceted reflector
19	88 351 40	78 Grado WRS-DF84 40-840 M43 ET 01	E-Line Pro Grado graphics spotlight, 368.5 mm, uniform wide distribution, 4,000 lm, 4,000 K, switchable, white
16	103 510 84	78IP50 LW 100-840ET L225 01	E-Line Pro LED luminaire insert, 2212.5 mm, wide distribution, 10,000 lm, 4,000 K, switchable, white
26	90 023 386 77	78IP50 LDAW 100-840ET L225 01	E-Line Pro LED luminaire insert, 2212.5 mm, double asymmetric wide distribution, 10,000 lm, 4,000 K, switchable, white
38	84 507 00	078 L450 7LV 01	Trunking with continuous 7-core through-wiring, pre-assembled coupling and electrical connector, white
6	84 504 00	078 L300 7LV 01	Trunking with continuous 7-core through-wiring, pre-assembled coupling and electrical connector, white
4	84 501 00	078 L225 7LV 01	Trunking with continuous 7-core through-wiring, pre-assembled coupling and electrical connector, white
16	84 973 00	078 VS-7 vp	Feeder element for rigid connection cables. 7-pole version, Cable cross-sections 2.5 mm ² . Including MVM end caps.
34	84 977 00	078 KS 01	End cap, white
140	84 797 00	078 BL L37 01	Blind cover made of PVC, white, 1 piece
98	84 251 00	A01DSXOE/5000 078	Decorative wire suspension with suspension clip and wire with eyelet, length 5,000 mm, infinitely adjustable without tools, 1 piece

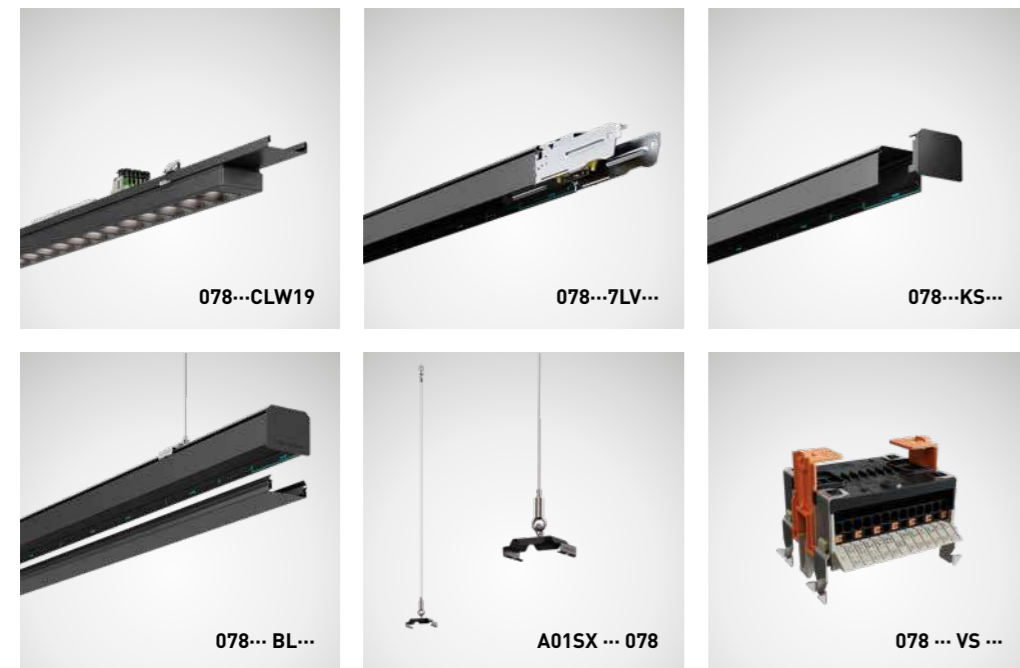
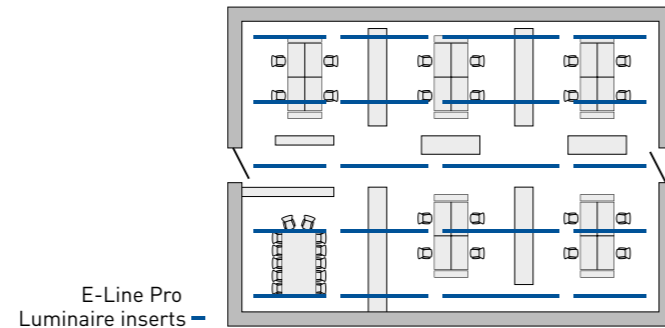
EXAMPLE: OFFICE

Basis for planning example: Open-plan office

Room height3.00 m
 Room length x room width 21.00 m x 15.00 m
 Mounting height (PW19) 2.50 - 5.00 m
 Mounting height (recommendation: LW19) > 3.50 m

Normative requirement

$E_m > 500 - 1,000 \text{ lx} - U_o > 0.60$
 $UGR < 19$



Variable LED continuous line with factory-wired trunking (continuous 7-core through-wiring), equipped with dimmable luminaire inserts, VDU workstation-compliant, protection rating IP20

Order example open-plan office

Quantity	TOC	Designation	Description
30	103 510 86	78 HE CLW19 60-840ETDD L225 05	E-Line Pro luminaire insert, 2,212.5 mm, wide distribution, UGR<19, with ConVision optic, 6,000 lm, 4,000 K, DALI dimmable, black
15	103 510 88	78 HE CLW19 40-840ETDD L150 05	E-Line Pro luminaire insert, 1,475 mm, wide distribution, UGR<19, with ConVision optic, 4,000 lm, 4,000 K, DALI dimmable, black
20	84 509 00	078 L450 7LV 05	Trunking with continuous 7-core through-wiring, pre-assembled coupling and electrical connector, black
5	84 503 00	078 L225 7LV 05	Trunking with continuous 7-core through-wiring, pre-assembled coupling and electrical connector, black
5	84 973 00	078 VS-7 vp	Feeder element for rigid connection cables. 7-pole version, Cable cross-sections 2.5 mm ² . Including MVM end caps.
10	84 979 00	078 KS 05	End cap, black
15	84 802 00	078 BL L75 05	Blind cover made of PVC, black
5	84 866 00	A01SX/1500 078 05	Wire suspension with suspension clip and wire with loop, length 1,500 mm, infinitely adjustable without tools, black
40	85 428 00	A01SX/1500 078 05 p2	Wire suspension with suspension clip and wire with loop, length 1,500 mm, infinitely adjustable without tools, 2 pieces, black

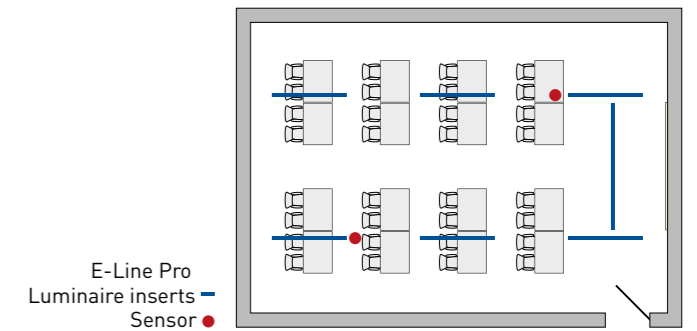
EXAMPLE: EDUCATION

Basis for planning example: Normal class

Room height.....3.00 m
 Normal class (AMEV) 8.40 m x 7.10 m
 (without panel lighting)

Normative requirement

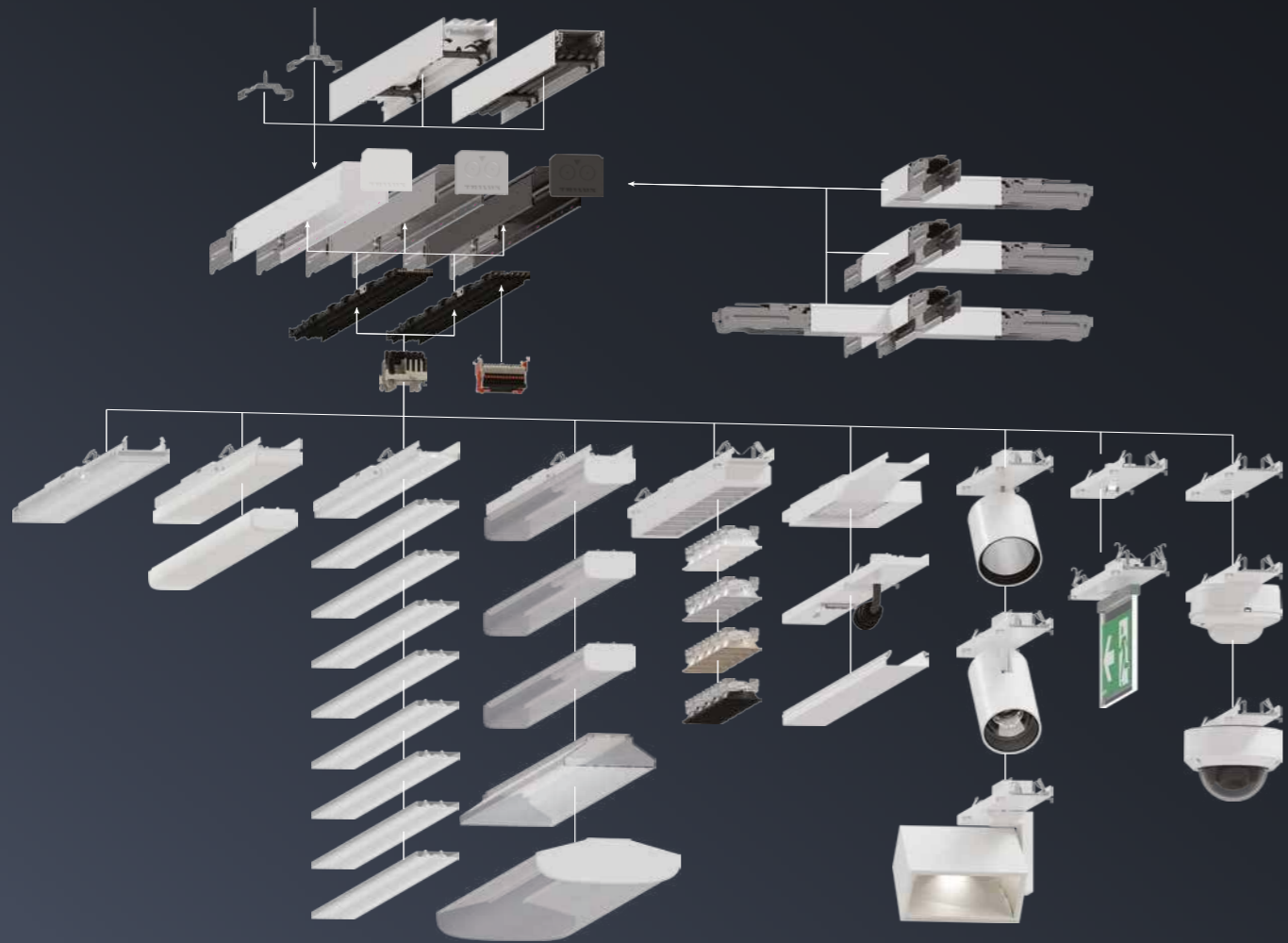
$E_m \geq 300-500 \text{ lx} - U_o \geq 0.60$ – general illumination (PW19)
 $E_m \geq 500 \text{ lx} - U_o \geq 0.70$ – panel illumination (LAN)
 AMEV Lighting 2016



Variable LED continuous line including light management with factory-wired trunking (continuous 7-core through-wiring), equipped with dimmable luminaire inserts, VDU workstation-compliant, protection rating IP20

Order example normal class

Quantity	TOC	Designation	Description
6	90 023 352 91	78IP50HE PMW19 40-840ETDD L150 03	E-Line Pro luminaire insert, 1,475 mm, wide distribution, UGR<19, 4,000 lm, 4,000 K, DALI dimmable, silver
2	84 508 00	078 L450 7LV 03	Trunking with continuous 7-core through-wiring, pre-assembled coupling and electrical connector, silver
2	84 505 00	078 L300 7LV 03	Trunking with continuous 7-core through-wiring, pre-assembled coupling and electrical connector, silver
2	84 973 00	078 VS-7 vp	Feeder element for rigid connection cables. 7-pole version, Cable cross-sections 2.5 mm ² . Including MVM end caps.
4	84 978 00	078 KS 03	End cap, silver
2	84 807 00	078 BL L150 03	Blind cover made of PVC, silver
2	84 804 00	078 BL L112 03	Blind cover made of PVC, silver
8	85 412 00	D01X 078 03 p2	Fixing clamp for direct ceiling mounting
2	84 460 00	78IP50 +LLWS IR Micro L37 03	Pre-assembled LiveLink sensor unit with integrated PIR presence sensor and light sensor for connection to a LiveLink control unit, for daylight-dependent control and high-resolution presence detection.
Panel			
2	103 510 90	78IP50 HE LAN 50-840 ETDD L150 03	E-Line Pro luminaire insert, 1,475 mm, asymmetric distribution, 5,000 lm, 4,000 K, DALI dimmable, silver
1	84 505 00	078 L300 7LV 03	Trunking with continuous 7-core through-wiring, pre-assembled coupling and electrical connector, silver
1	84 973 00	078 VS-7 vp	Feeder element for rigid connection cables. 7-pole version, Cable cross-sections 2.5 mm ² . Including MVM end caps.
2	84 978 00	078 KS 03	End cap, silver
2	85 412 00	D01X 078 03 p2	Fixing clamp for direct ceiling mounting



E-LINE PRO
QUICKLY AND EASILY CONFIGURED



With the E-Line Configurator, lighting designers and architects have the extensive range of variants under their control. The system guides the user through the configuration process and suggests suitable optics for the specific application. Especially convenient: data can simply be saved, transferred directly into the ERP system and used again as a starting point for further projects.

1	Trunking	
3	Colours	
3	Protection ratings	
2	Mounting options	
3	Luminaire insert lengths	
3	Lifespans	
21	Light distributions	
42	Luminous flux packages	
5	Light colours	
2	CRI indices	
3	Circuit types	
> 15	Supplementary modules	

www.trilux.com/eline-pro-configurator

E-LINE REFURBISHMENT



E-Line Fix can be easily retrofitted 1:1 onto existing old systems.

Converting a conventional T5/T8 E-Line to LED technology, for example, takes just 44 seconds and brings many advantages:

- 1:1 exchange of the luminaire insert
- No tools
- Best efficiency in combination with maximum service life
- More well-being, more safety and more quality of light
- Optimised packaging concepts

	Old system	New system	
	T8/1 x 58 W	E-Line Fix	Savings*
CCG	75 W	29 W	-61%
LLCG	70 W	29 W	-59%
ECG	55 W	29 W	-47%
	T8/2 x 58 W	E-Line Fix	
CCG	150 W	48 W	-68%
LLCG	140 W	48 W	-66%
ECG	110 W	48 W	-56%

*up to 30% more possible with use of light management systems (based on electricity consumption during operation).

www.trilux.com/efficiency-calculator

REFURBISHMENT

The **TRILUX after-sales promise** also makes it possible to purchase selected lighting solutions for 10 years after purchase. For spare parts (e.g. LED modules, LED control gear units and optics) this is even 15 years. This promise also applies to the E-Line product range.

The advantages:

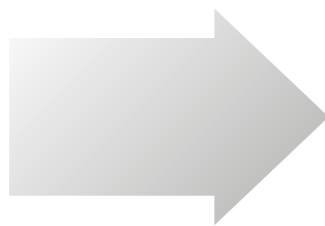
- The service life of the lighting solution is extended, thus increasing profitability and reducing the carbon footprint
- Maintenance and repair work is completed quickly and reliably
- Long product availability enables follow-up and expansion projects to be easily implemented



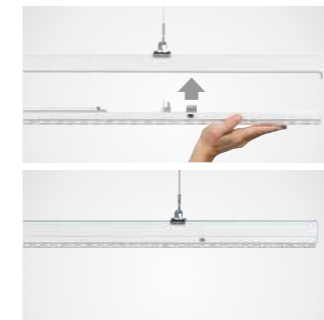
From old to new during running operation – experience the lighting refurbishment at Wache Lübeck GmbH



Starting signal for best efficiency
E-Line Fix luminaire inserts can be quickly and efficiently integrated into existing T5 and T8 E-Line trunking.



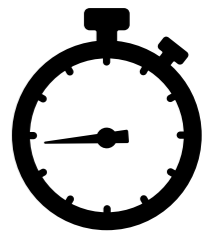
Removal made easy
Disassembly without tools.



Integrate a new optic with one click.
A new optic can be simply clicked into the existing trunking without tools thanks to the intelligent spring catch design.



New light in old trunking.
An attractive and highly efficient lighting solution with customised optics.

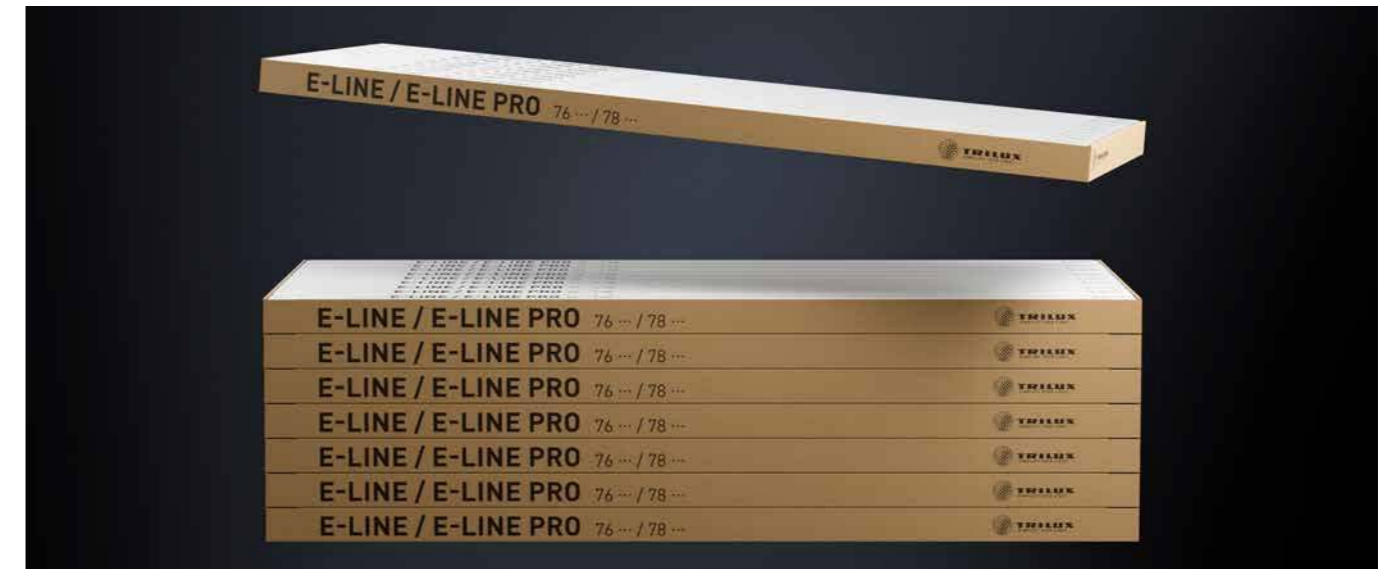


From old to new in just 44 seconds

E-LINE PRO SUSTAINABILITY

E-Line Pro focuses on sustainable solutions. From packaging and best energy efficiency to a sustainable, modular product concept.

- Optimised packaging size – less effort, less waste, lower costs
- Efficient luminaires save energy
- Integrate light management and save up to 80% energy
- Building block of sustainable building certification such as BREEAM or DGNB integrated with E-Line Pro



TRILUX is also committed to corporate responsibility, creating transparency in the supply chain and researching pioneering concepts for resource conservation and material efficiency. In this context, TRILUX participated in the Repro Light research project. This is about

- The relevance of interchangeability, reuse and recycling of LED luminaire assemblies
- The influence of individual phases of the life cycle with regard to climate and resource protection

The sustainability is assessed on the basis of the following key factors:

- Global Warming Potential
- Primary Energy Demand
- Abiotic Depletion Potential
- Elements / Fossils
- Acidification Potential
- Eutrophication Potential

TRILUX also launched the Sumatra Project together with representatives from industry and the scientific community. The project is funded by the German Ministry for Economic Affairs and Energy (BMWi) and concerns resource conservation in lighting systems. In detail this is about:

- What happens to luminaires at the end of the product life cycle?
- Recyclability of the components
- Reusability of the components
- Product design with regard to recyclability and reusability



The E-Line range of products was honoured with the German Sustainability Award in the Design category.

LIGHT MANAGEMENT

SIMPLY PLANNED.
QUICKLY INSTALLED.
INTUITIVE TO USE.



www.trilux.com/livelink

Maximum convenience, minimum installation effort

LiveLink is ready to go and fully functional right from the first start. All system devices are automatically recognised and can be easily adapted to the individual project via the user-friendly LiveLink ONE® app. Highly practical: the electrical contractor can configure the system in any order. The functionality is always maintained

Savings of up to 85%: light management pays off

An LED solution controlled by LiveLink reduces energy consumption by up to 85% compared to conventional, non-controllable lighting installations. This also lowers the energy costs for the lighting and reduces the carbon footprint. Light management is already mandatory in many tenders and certifications.

More flexibility, more quality of light

Intelligent light management improves the quality of light and increases visual comfort. LiveLink ONE® has numerous preset features such as Human Centric Lighting and functions for daylight-dependent control and presence control. In addition, light scenes can be flexibly programmed and called up at the touch of a button, either by push-button or via the app. This means always precisely the right light for the various tasks and individual needs.

When intelligence comes to light.

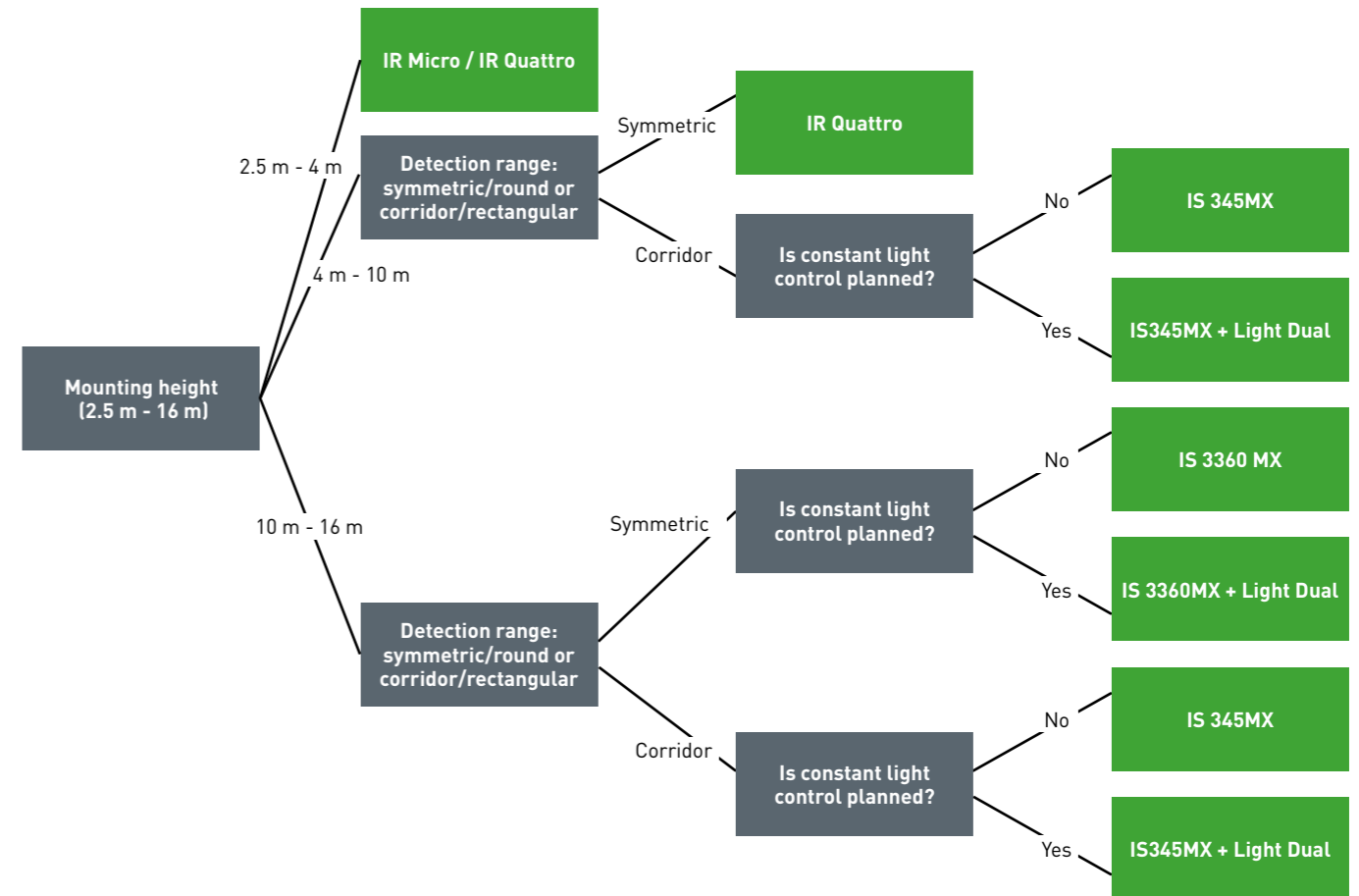
E-Line Pro can be controlled via various light management systems depending on the requirements and specific application.

- LiveLink Premium for larger projects (DALI)
- LiveLink WiFi for projects with up to 64 devices (DALI)
- LiveLink Retail as a radio-based solution via Bluetooth Low Energy

Functions	LiveLink Retail ETBLE	LiveLink WiFi	LiveLink Premium
Single room	✓	✓	✓
Multiroom	✓	✓	✓
Presence detection	✓	✓	✓
Constant light control	✓	✓	✓
Light scenes	✓	✓	✓
Sequences	✓	✓	✓
General light	✓	✓	✓
Human Centric Lighting	✓	✓	✓
Plug and play function	✓	✓	-
Cloud connection	✓	✓	✓
Monitoring (MOR luminaires)	-	✓	✓
Emergency light monitoring (DALI single battery)	-	✓	✓
Radio networking (mesh)	✓	-	-
Integration of building plans	-	-	✓
Connection to building control system	-	-	✓
Control via push-button	✓	✓	✓
Control via app	✓	✓	✓
Mounting: luminaires integrated	✓	✓	-
Number of DALI devices	1	64	2000 Scalable, without limitation
Number of radio luminaires	256	-	Scalable, without limitation

SENSORS

Intelligent lighting systems that are controlled by sensors, minimise energy consumption and interact individually with users are the future of modern buildings – with both new buildings and renovations. Here, integrating a sensor into an E-Line is particularly easy thanks to plug & play. This not only saves on installation time, but also on the building's energy consumption.



IR Micro
• DALI-2 input device
• Mounting height max. 5 m



Quattro HD
• DALI-2 input device
• Mounting height 2.5 - 10 m



IS 345 MX
• DALI-2 input device
• Mounting height max. 16 m
• Tangential range 30 x 4 m



IS 3360 MX Highbay
• DALI-2 input device
• Mounting height max. 14 m
• Tangential range Ø 36 m



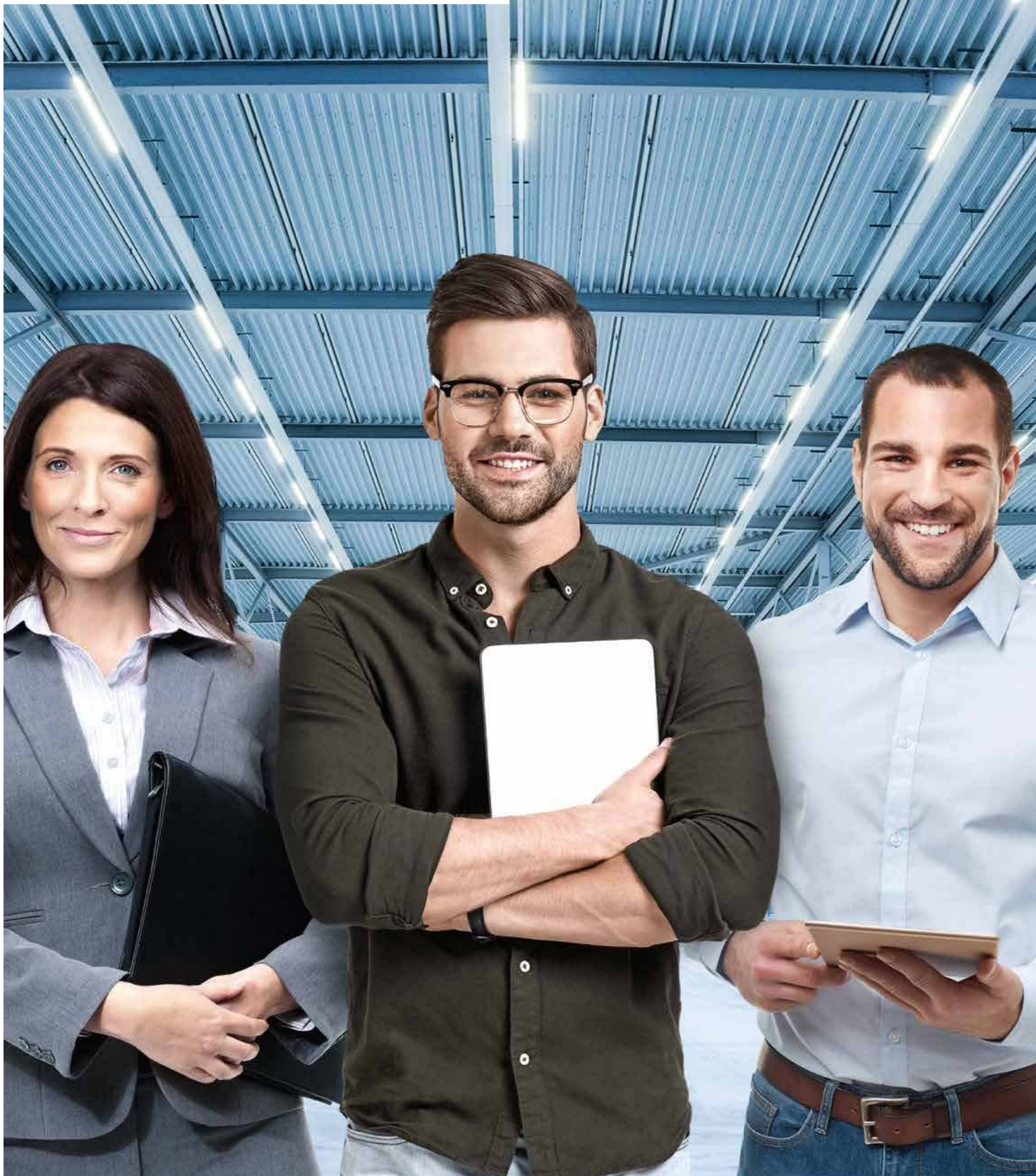
Light Dual
• DALI-2 input device
• Pure light sensor, direct or diffuse measurement



www.trilux.com/livelink

LIGHTING SOLUTIONS & SERVICES

HOLISTIC EXPERTISE



www.trilux.com/services

Achieving perfect light has never been simpler

The lighting market has changed enormously due to LED transformation, increasing digitalisation and social mega-trends such as connectivity and big data. On the one hand this provides various opportunities. On the other, lighting solutions are becoming increasingly complex and their selection, configuration and operation more complicated.

TRILUX makes this complexity manageable thanks to intelligent solutions that set new standards in terms of energy efficiency and quality of light, and also by offering a wide range of customer-oriented services.



ORIENTATION AND SAFETY

The increasing complexity of lighting solutions is changing the knowledge used over many years, and also places new demands on all participants with regard to the efficiency, quality, performance and service life of lighting solutions. Furthermore, new challenges placed on the building flow into the planning process – and as a result future construction projects will not only become more intelligent but will also be designed in a more sustainable way.

We clarify together with you which technologies and products are most suited to your needs.



BURDEN RELIEF

Large building and refurbishment projects demand farsightedness and a corresponding overview, as well as appropriate resources with the planning, implementation and operation of a new building. Upon request we take on all tasks concerning the lighting, ranging from technological consultation and custom financing concepts to installation work and extensive digital services.

This gives you the freedom you need to concentrate on your own business.



SAVINGS

An efficiently planned lighting solution not only considers costs, savings potential and financing options. TRILUX offers various financing models to customers who wish to realise their systems in a balance-neutral way to protect their own capital and maintain their handling flexibility.

We draw up individual concepts in agreement with you to fulfil your precise requirements.

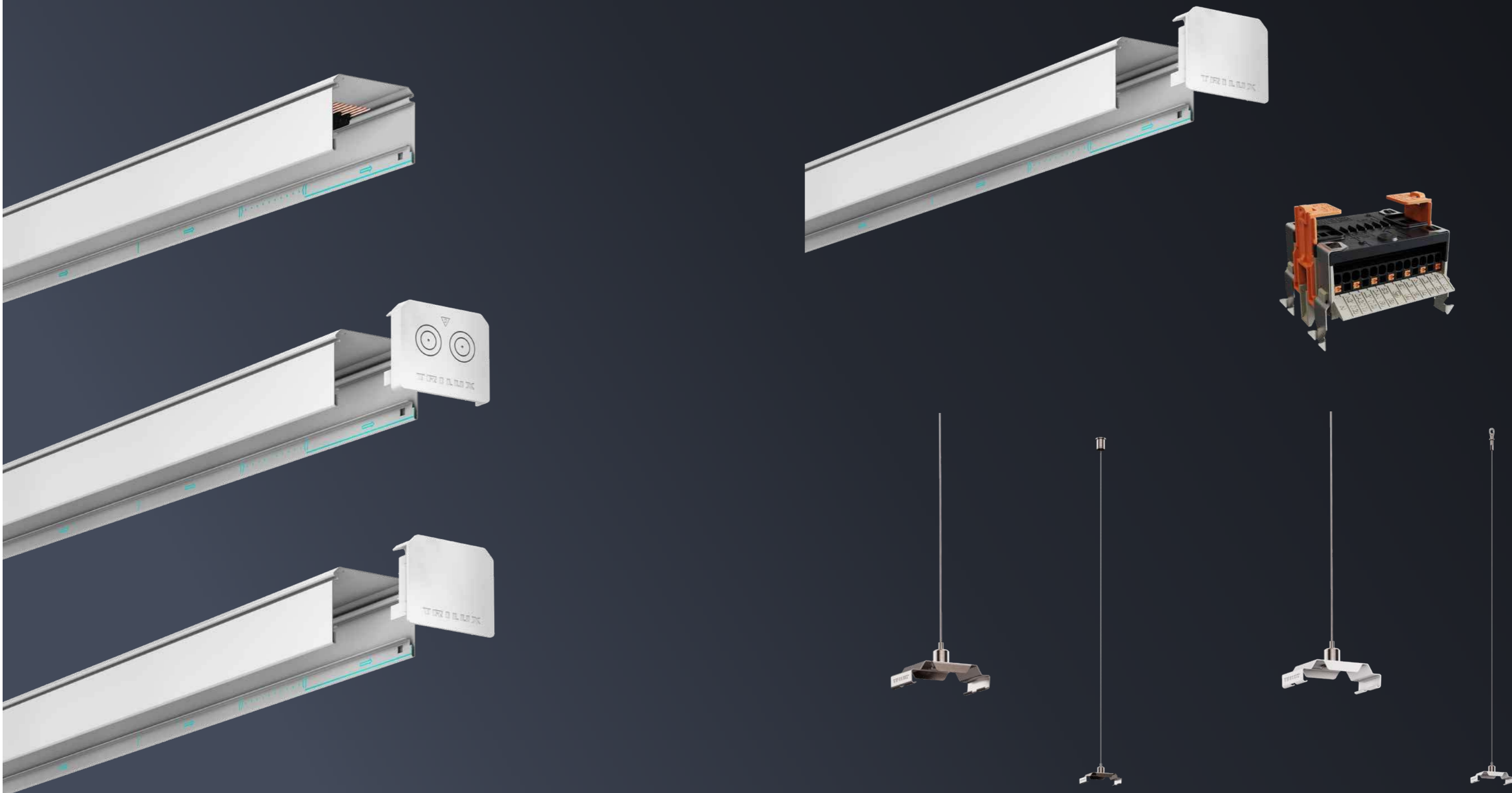


ENVIRONMENTAL AWARENESS AND SUSTAINABILITY

The lighting solution is a central part of sustainable building management and has a major influence on gaining certifications such as Green Building. Greenhouse gas emissions can be sustainably reduced via environmentally protective lighting installations based on state-of-the-art LED technology and intelligent control solutions. Digital services from TRILUX also enable the monitoring of operationally relevant data such as energy consumption during operation.

We are also available to you after commissioning.

E-LINE PRO
ACCESSORIES



TRUNKING WITH IP20/IP50/IP54* PROTECTION RATING

Trunking, with continuous current routing, 2.5 mm²

Trunking 078...IP20/IP50/IP54*, white



⚠ (not IP20) ⚡ ⚠ CE ⊕

Designation	TOC	Dimensions L x W x H (mm)	≈kg (pcs.)
7-core through-wiring, with pre-assembled coupling and electrical connector			
078 L37 7LV 01	84 492 00	368.5 x 62 x 57	1
078 L75 7LV 01	84 495 00	737 x 62 x 57	1.5
078 L150 7LV 01	84 498 00	1,474 x 62 x 57	2.6
078 L225 7LV 01	84 501 00	2211 x 62 x 57	3.7
078 L300 7LV 01	84 504 00	2950 x 62 x 57	4.7
078 L450 7LV 01	84 507 00	4425 x 62 x 57	6.9
7-core through-wiring, without coupling and electrical connector (E)			
078 L37 E 7LV 01	84 528 00	368.5 x 62 x 57	0.5
078 L75 E 7LV 01	84 529 00	737 x 62 x 57	1
078 L150 E 7LV 01	84 530 00	1,474 x 62 x 57	2.1
078 L225 E 7LV 01	84 531 00	2211 x 62 x 57	3.2
078 L300 E 7LV 01	84 532 00	2950 x 62 x 57	4.3
078 L450 E 7LV 01	84 533 00	4425 x 62 x 57	6.4
13-core through-wiring, with pre-assembled coupling and electrical connector			
078 L37 13LV 01	84 510 00	368.5 x 62 x 57	1
078 L75 13LV 01	84 513 00	737 x 62 x 57	1.6
078 L150 13LV 01	84 516 00	1,474 x 62 x 57	2.8
078 L225 13LV 01	84 519 00	2211 x 62 x 57	4
078 L300 13LV 01	84 522 00	2950 x 62 x 57	5
078 L450 13LV 01	84 525 00	4425 x 62 x 57	7.4
13-core through-wiring, without coupling and electrical connector (E)			
078 L37 E 13LV 01	84 534 00	368.5 x 62 x 57	0.5
078 L75 E 13LV 01	84 535 00	737 x 62 x 57	1.1
078 L150 E 13LV 01	84 536 00	1,474 x 62 x 57	2.3
078 L225 E 13LV 01	84 537 00	2211 x 62 x 57	3.5
078 L300 E 13LV 01	84 538 00	2950 x 62 x 57	4.6
078 L450 E 13LV 01	84 539 00	4425 x 62 x 57	7
Trunking profiles, unwired, with coupling (U)			
078 L37 U 01	84 564 00	368.5 x 62 x 57	0.8
078 L75 U 01	84 565 00	737 x 62 x 57	1.2
078 L150 U 01	84 566 00	1,474 x 62 x 57	1.9
078 L225 U 01	84 567 00	2211 x 62 x 57	2.7
078 L300 U 01	84 568 00	2950 x 62 x 57	3.4
078 L450 U 01	84 569 00	4425 x 62 x 57	4.9

*one trunking – all protection ratings, IP54 coming soon

TRUNKING WITH IP20/IP50/IP54* PROTECTION RATING

Trunking, with continuous current routing, 2.5 mm²

Trunking 078...IP20/IP50/IP54*, silver



⚠ (not IP20) ⚡ ⚠ CE ⊕

Designation	TOC	Dimensions L x W x H (mm)	≈kg (pcs.)
7-core through-wiring, with pre-assembled coupling and electrical connector			
078 L37 7LV 03	84 493 00	368.5 x 62 x 57	1
078 L75 7LV 03	84 496 00	737 x 62 x 57	1.5
078 L150 7LV 03	84 499 00	1474 x 62 x 57	2.6
078 L225 7LV 03	84 502 00	2211 x 62 x 57	3.7
078 L300 7LV 03	84 505 00	2950 x 62 x 57	4.7
078 L450 7LV 03	84 508 00	4425 x 62 x 57	6.9
7-core through-wiring, without coupling and electrical connector (E)			
078 L37 E 13LV 03	84 546 00	368.5 x 62 x 57	0.5
078 L75 E 13LV 03	84 547 00	737 x 62 x 57	1
078 L150 E 13LV 03	84 548 00	1474 x 62 x 57	2.1
078 L225 E 13LV 03	84 549 00	2211 x 62 x 57	3.2
078 L300 E 13LV 03	84 550 00	2950 x 62 x 57	4.3
078 L450 E 13LV 03	84 551 00	4425 x 62 x 57	6.4
13-core through-wiring, with pre-assembled coupling and electrical connector			
078 L37 13LV 03	84 511 00	368.5 x 62 x 57	1
078 L75 13LV 03	84 514 00	737 x 62 x 57	1.6
078 L150 13LV 03	84 517 00	1474 x 62 x 57	2.8
078 L225 13LV 03	84 520 00	2211 x 62 x 57	4
078 L300 13LV 03	84 523 00	2950 x 62 x 57	5
078 L450 13LV 03	84 526 00	4425 x 62 x 57	7.4
13-core through-wiring, without coupling and electrical connector (E)			
078 L37 E 7LV 03	84 540 00	368.5 x 62 x 57	0.5
078 L75 E 7LV 03	84 541 00	737 x 62 x 57	1.1
078 L150 E 7LV 03	84 542 00	1,474 x 62 x 57	2.3
078 L225 E 7LV 03	84 543 00	2211 x 62 x 57	3.5
078 L300 E 7LV 03	84 544 00	2950 x 62 x 57	4.6
078 L450 E 7LV 03	84 545 00	4425 x 62 x 57	7
Trunking profiles, unwired, with coupling (U)			
078 L37 U 03	84 570 00	368.5 x 62 x 57	0.8
078 L75 U 03	84 571 00	737 x 62 x 57	1.2
078 L150 U 03	84 572 00	1,474 x 62 x 57	1.9
078 L225 U 03	84 573 00	2211 x 62 x 57	2.7
078 L300 U 03	84 574 00	2950 x 62 x 57	3.4
078 L450 U 03	84 575 00	4425 x 62 x 57	4.9

*one trunking – all protection ratings, IP54 coming soon

TRUNKING WITH IP20/IP50/IP54* PROTECTION RATING

Trunking, with continuous current routing, 2.5 mm²
Trunking 078...IP20/IP50/IP54*, black



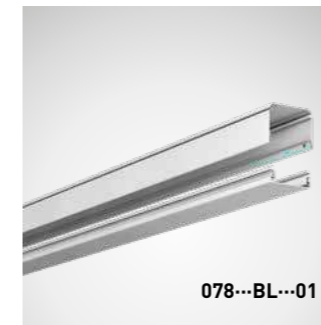
⚠ (not IP20) ⚡ ⚠ CE ⊕

Designation	TOC	Dimensions L x W x H (mm)	≈kg (pcs.)
7-core through-wiring, with pre-assembled coupling and electrical connector			
078 L37 7LV 05	84 494 00	368.5 x 62 x 57	1
078 L75 7LV 05	84 497 00	737 x 62 x 57	1.5
078 L150 7LV 05	84 500 00	1,474 x 62 x 57	2.6
078 L225 7LV 05	84 503 00	2211 x 62 x 57	3.7
078 L300 7LV 05	84 506 00	2950 x 62 x 57	4.7
078 L450 7LV 05	84 509 00	4425 x 62 x 57	6.9
7-core through-wiring, without coupling and electrical connector (E)			
078 L37 E 7LV 05	84 552 00	368.5 x 62 x 57	0.5
078 L75 E 7LV 05	84 553 00	737 x 62 x 57	1
078 L150 E 7LV 05	84 554 00	1,474 x 62 x 57	2.1
078 L225 E 7LV 05	84 555 00	2211 x 62 x 57	3.2
078 L300 E 7LV 05	84 556 00	2950 x 62 x 57	4.3
078 L450 E 7LV 05	84 557 00	4425 x 62 x 57	6.4
13-core through-wiring, with pre-assembled coupling and electrical connector			
078 L37 13LV 05	84 512 00	368.5 x 62 x 57	1
078 L75 13LV 05	84 515 00	737 x 62 x 57	1.6
078 L150 13LV 05	84 518 00	1,474 x 62 x 57	2.8
078 L225 13LV 05	84 521 00	2211 x 62 x 57	4
078 L300 13LV 05	84 524 00	2950 x 62 x 57	5
078 L450 13LV 05	84 527 00	4425 x 62 x 57	7.4
13-core through-wiring, without coupling and electrical connector (E)			
078 L37 E 13LV 05	84 558 00	368.5 x 62 x 57	0.5
078 L75 E 13LV 05	84 559 00	737 x 62 x 57	1.1
078 L150 E 13LV 05	84 560 00	1,474 x 62 x 57	2.3
078 L225 E 13LV 05	84 561 00	2211 x 62 x 57	3.5
078 L300 E 13LV 05	84 562 00	2950 x 62 x 57	4.6
078 L450 E 13LV 05	84 563 00	4425 x 62 x 57	7
Trunking profiles, unwired, with coupling (U)			
078 L37 U 05	84 576 00	368.5 x 62 x 57	0.8
078 L75 U 05	84 577 00	737 x 62 x 57	1.2
078 L150 U 05	84 578 00	1,474 x 62 x 57	1.9
078 L225 U 05	84 579 00	2211 x 62 x 57	2.7
078 L300 U 05	84 580 00	2950 x 62 x 57	3.4
078 L450 U 05	84 581 00	4425 x 62 x 57	4.9

*one trunking – all protection ratings, IP54 coming soon

ACCESSORIES FOR TRUNKING WITH IP20/50 PROTECTION RATING

Blind covers with IP20 protection rating
Trunking 078...BL IP20, white



⚠ (not IP20) ⚡ ⚠ CE ⊕

Designation	TOC	Length (mm)	≈kg (pcs.)
Plastic (PVC)			
078 BL L37 01	84 797 00	368.5	0.1
078 BL L75 01	84 800 00	737	0.1
078 BL L112 01	84 803 00	1105.5	0.2
078 BL L150 01	84 806 00	1474	0.2
078 BL L187 01	84 809 00	1842.5	0.3
078 BL L225 01	84 812 00	2211	0.3

Blind covers with IP50 protection rating
Trunking 078...BL IP50, white



⚠ (not IP20) ⚡ ⚠ CE ⊕

Designation	TOC	Length (mm)	≈kg (pcs.)
Plastic (PVC)			
078IP50 BL L37 01	84 815 00	368.5	0.1
078IP50 BL L75 01	84 816 00	737	0.1
078IP50 BL L112 01	84 817 00	1105.5	0.2
078IP50 BL L150 01	84 818 00	1474	0.2
078IP50 BL L187 01	84 819 00	1842.5	0.3
078IP50 BL L225 01	84 820 00	2211	0.3
Metal, with 5-pole tap			
078IP BL-M 5-pol L37 01	83 374 00	368.5	0.4
078IP BL-M 5-pol L75 01	83 375 00	737	0.7
078IP BL-M 5-pol L112 01	83 376 00	1105.5	1
078IP BL-M 5-pol L150 01	83 377 00	1474	1.3
078IP BL-M 5-pol L187 01	83 378 00	1842.5	1.5
078IP BL-M 5-pol L225 01	83 379 00	2211	1.7

ACCESSORIES FOR TRUNKING WITH IP20/50 PROTECTION RATING

Blind covers with IP20 protection rating
Trunking 078...BL IP20, silver



⚠ (not IP20) ⚡ ⚠ CE ⊕

Designation	TOC	Length (mm)	≈kg (pcs.)
Plastic (PVC)			
078 BL L37 03	84 798 00	368.5	0.1
078 BL L75 03	84 801 00	737	0.1
078 BL L112 03	84 804 00	1105.5	0.2
078 BL L150 03	84 807 00	1474	0.2
078 BL L187 03	84 810 00	1842.5	0.3
078 BL L225 03	84 813 00	2211	0.3

Blind covers with IP50 protection rating
Trunking 078...BL IP50, silver



⚠ (not IP20) ⚡ ⚠ CE ⊕

Designation	TOC	Length (mm)	≈kg (pcs.)
Plastic (PVC)			
078IP50 BL L37 03	84 821 00	368.5	0.1
078IP50 BL L75 03	84 822 00	737	0.1
078IP50 BL L112 03	84 823 00	1105.5	0.2
078IP50 BL L150 03	84 824 00	1474	0.2
078IP50 BL L187 03	84 825 00	1842.5	0.3
078IP50 BL L225 03	84 826 00	2211	0.3
Metal, with 5-pole tap			
078IP BL-M 5-pol L37 03	83 380 00	368.5	0.4
078IP BL-M 5-pol L75 03	83 381 00	737	0.7
078IP BL-M 5-pol L112 03	83 382 00	1105.5	1
078IP BL-M 5-pol L150 03	83 383 00	1474	1.3
078IP BL-M 5-pol L187 03	83 384 00	1842.5	1.5
078IP BL-M 5-pol L225 03	83 385 00	2211	1.7

ACCESSORIES FOR TRUNKING WITH IP20/50 PROTECTION RATING

Blind covers with IP20 protection rating
Trunking 078...BL IP20, black



⚠ (not IP20) ⚡ ⚠ CE ⊕

Designation	TOC	Length (mm)	≈kg (pcs.)
Plastic (PVC)			
078 BL L37 05	84 799 00	368.5	0.1
078 BL L75 05	84 802 00	737	0.1
078 BL L112 05	84 805 00	1105.5	0.2
078 BL L150 05	84 808 00	1474	0.2
078 BL L187 05	84 811 00	1842.5	0.3
078 BL L225 05	84 813 00	2211	0.3

Blind covers with IP50 protection rating
Trunking 078...BL IP50, black



⚠ (not IP20) ⚡ ⚠ CE ⊕

Designation	TOC	Length (mm)	≈kg (pcs.)
Plastic (PVC)			
078IP50 BL L37 05	84 827 00	368.5	0.1
078IP50 BL L75 05	84 828 00	737	0.1
078IP50 BL L112 05	84 829 00	1105.5	0.2
078IP50 BL L150 05	84 830 00	1474	0.2
078IP50 BL L187 05	84 831 00	1842.5	0.3
078IP50 BL L225 05	84 832 00	2211	0.3
Metal, with 5-pole tap			
078IP BL-M 5-pol L37 05	83 386 00	368.5	0.4
078IP BL-M 5-pol L75 05	83 387 00	737	0.7
078IP BL-M 5-pol L112 05	83 388 00	1105.5	1
078IP BL-M 5-pol L150 05	83 389 00	1474	1.3
078IP BL-M 5-pol L187 05	83 390 00	1842.5	1.5
078IP BL-M 5-pol L225 05	83 391 00	2211	1.7

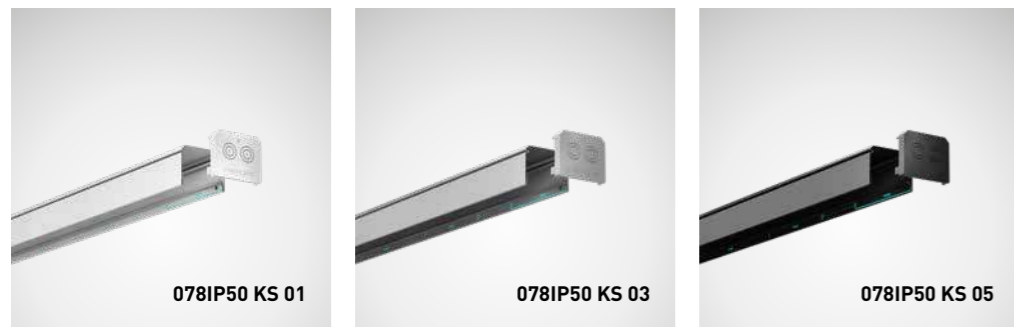
ACCESSORIES FOR TRUNKING WITH IP20/50 PROTECTION RATING

End caps with IP20 protection rating Trunking 078...KS



Designation	TOC	Description	≈kg (pcs.)
White			
078 KS 01	84 977 00	End cap, white, 1 piece	0.1
Silver			
078 KS 03	84 978 00	End cap, silver, 1 piece	0.1
Black			
078 KS 05	84 979 00	End cap, black, 1 piece	0.1

End caps with IP50 protection rating Trunking 078IP50...



Designation	TOC	Description	≈kg (pcs.)
White			
078IP50 Ks 01	84 980 00	End cap, white, 1 piece	0.1
Silver			
078IP50 Ks 03	84 981 00	End cap, silver, 1 piece	0.1
Black			
078IP50 Ks 05	84 982 00	End cap, black, 1 piece	0.1

Further IP50 accessories



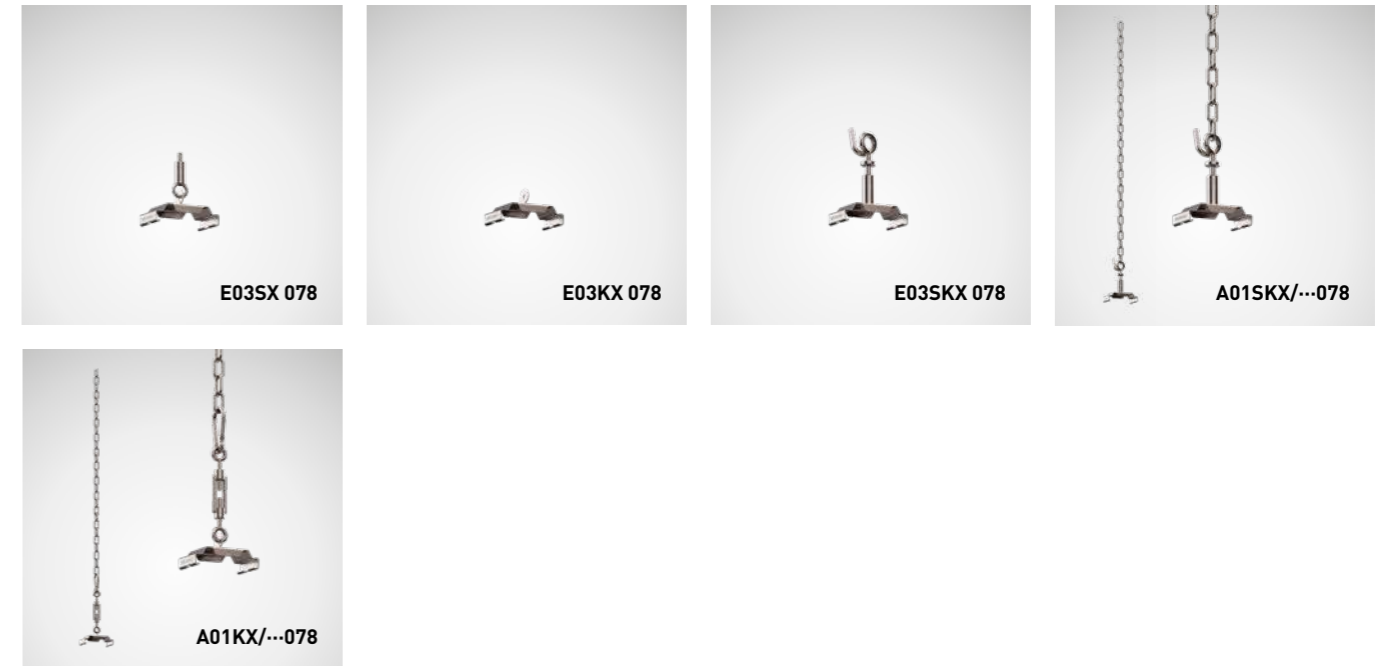
Designation	TOC	Description	≈kg (pcs.)
078IP50 SB 05	89 127 00	Sealing plate, black, 1 piece	0.1
078IP50 SC 01	89 128 00	Coupling seal, white, 1 piece	0.1
078IP50 SC 03	89 129 00	Coupling seal, silver, 1 piece	0.1
078IP50 SC 05	89 130 00	Coupling seal, black, 1 piece	0.1

ACCESSORIES FOR TRUNKING

Fasteners Trunking 078..., stainless steel



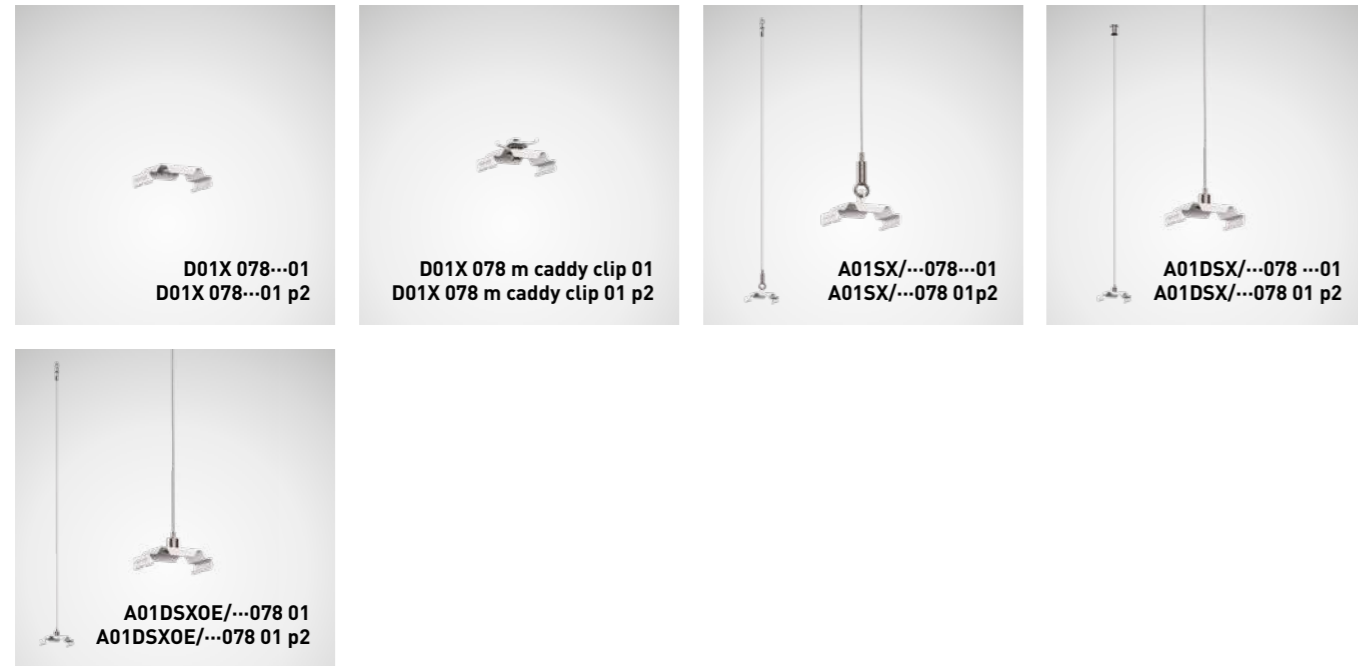
Designation	TOC	Description	≈kg (pcs.)
Stainless steel, individually packed			
D01X 078	84 240 00	Fixing clamp for direct ceiling mounting, 1 piece	0.1
D01X 078 m caddy clip	84 241 00	Fixing clamp with caddy clip for quick mounting on suitable profile steel, 1 piece	0.1
A01SX/1500 078	84 243 00	Wire suspension with suspension clip and wire with loop, length 1,500 mm, steplessly adjustable without tools, 1 piece	0.1
A01SX/3000 078	84 244 00	Wire suspension with suspension clip and wire with loop, length 3,000 mm, steplessly adjustable without tools, 1 piece	0.1
A01SX/5000 078	84 245 00	Wire suspension with suspension clip and wire with loop, length 5,000 mm, steplessly adjustable without tools, 1 piece	0.1
A01DSX/1500 078	84 246 00	Decorative wire suspension with suspension clip, ceiling sleeves and wire, length 1,500 mm, steplessly adjustable without tools, 1 piece	0.1
A01DSX/3000 078	84 247 00	Decorative wire suspension with suspension clip, ceiling sleeves and wire, length 3,000 mm, steplessly adjustable without tools, 1 piece	0.1
A01DSX/5000 078	84 248 00	Decorative wire suspension with suspension clip, ceiling sleeves and wire, length 5,000 mm, steplessly adjustable without tools, 1 piece	0.1
A01DSXOE/1500 078	84 249 00	Decorative eyelet wire suspension with suspension clip, ceiling sleeves and wire, length 1,500 mm, steplessly adjustable without tools, 1 piece	0.1
A01DSXOE/3000 078	84 250 00	Decorative eyelet wire suspension with suspension clip, ceiling sleeves and wire, length 3,000 mm, steplessly adjustable without tools, 1 piece	0.1
A01DSXOE/5000 078	84 251 00	Decorative eyelet wire suspension with suspension clip, ceiling sleeves and wire, length 5,000 mm, steplessly adjustable without tools, 1 piece	0.1
E03SX 078	84 252 00	Suspension clamp for wire suspension in conjunction with E06 and E03, 1 piece	0.1
E03KX 078	84 253 00	Suspension clamp for chain suspension, 1 piece	0.1
E03SKX 078	84 254 00	Suspension clamp height adjustable without tools for chain suspension, 1 piece	0.1
A01SKX/1500 078	84 255 00	Suspension clip height-adjustable without tools for chain suspension with chain length 1,500 mm, 1 piece	0.3
A01KX/1500 078	84 256 00	Suspension clamp for chain suspension with chain length 1,500 mm, 1 piece	0.3



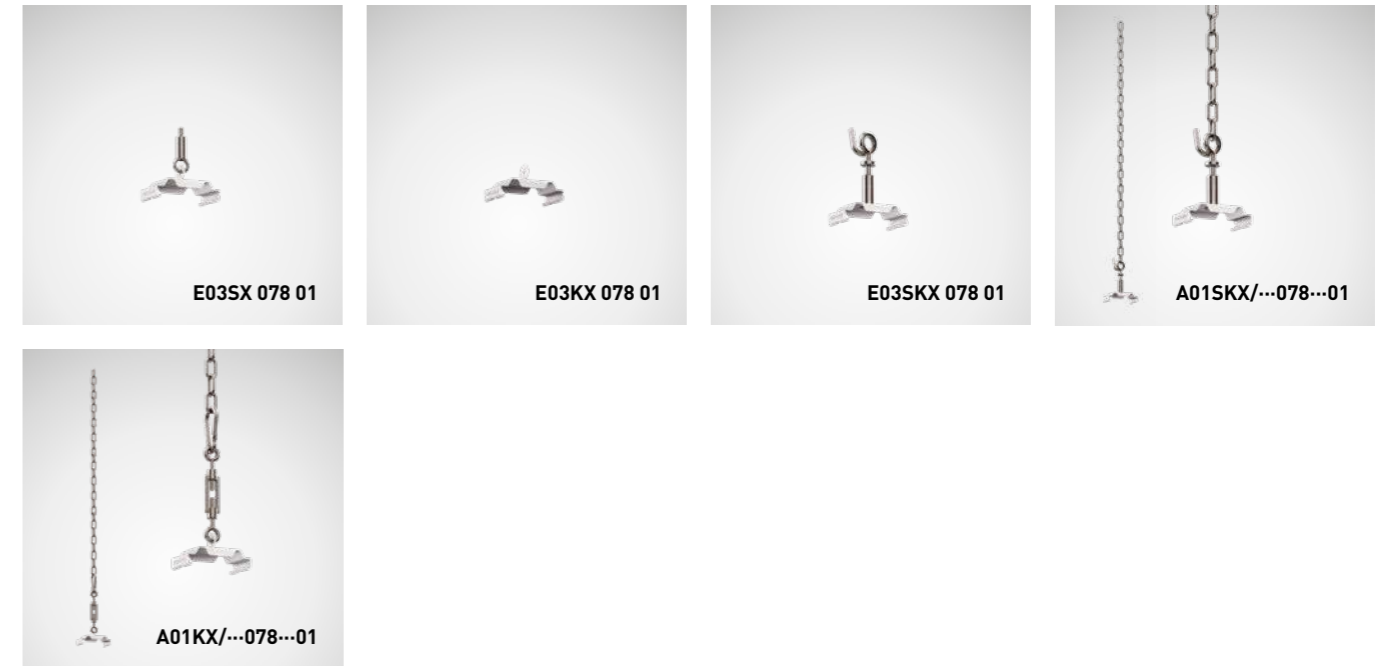
Designation	TOC	Description	≈kg (pcs.)
Stainless steel, multi-packed (2 pieces)			
D01X 078 p2	85 380 00	Fixing clamp for direct ceiling mounting, 2 pieces	0.1
D01X/2 078 m caddy clip p2	85 381 00	Fixing clamp with caddy clip for quick mounting on suitable profile steel, 2 pieces	0.1
A01SX/1500 078 p2	85 382 00	Wire suspension with suspension clip and wire with loop, length 1,500 mm, steplessly adjustable without tools, 2 pieces	0.1
A01SX/3000 078 p2	85 383 00	Wire suspension with suspension clip and wire with loop, length 3,000 mm, steplessly adjustable without tools, 2 pieces	0.1
A01SX/5000 078 p2	85 384 00	Wire suspension with suspension clip and wire with loop, length 5,000 mm, steplessly adjustable without tools, 2 pieces	0.1
A01DSX/1500 078 p2	85 385 00	Decorative wire suspension with suspension clip, ceiling sleeves and wire, length 1,500 mm, steplessly adjustable without tools, 2 pieces	0.1
A01DSX/3000 078 p2	85 386 00	Decorative wire suspension with suspension clip, ceiling sleeves and wire, length 3,000 mm, steplessly adjustable without tools, 2 pieces	0.1
A01DSX/5000 078 p2	85 387 00	Decorative wire suspension with suspension clip, ceiling sleeves and wire, length 5,000 mm, steplessly adjustable without tools, 2 pieces	0.1
A01DSXOE/1500 078 p2	85 388 00	Decorative eyelet wire suspension with suspension clip, ceiling sleeves and wire, length 1,500 mm, steplessly adjustable without tools, 2 pieces	0.1
A01DSXOE/3000 078 p2	85 389 00	Decorative eyelet wire suspension with suspension clip, ceiling sleeves and wire, length 3,000 mm, steplessly adjustable without tools, 2 pieces	0.1
A01DSXOE/5000 078 p2	85 390 00	Decorative eyelet wire suspension with suspension clip, ceiling sleeves and wire, length 5,000 mm, steplessly adjustable without tools, 2 pieces	0.1
E03SX 078 p2	85 391 00	Suspension clamp for wire suspension in conjunction with E06 and E03, 2 pieces	0.1
E03KX 078 p5	85 392 00	Suspension clamp for chain suspension, 5 pieces	0.1
E03SKX 078 p5	85 393 00	Suspension clamp height adjustable without tools for chain suspension, 5 pieces	0.1
A01SKX/1500 078 p2	85 394 00	Suspension clip height adjustable without tools for chain suspension with chain length 1,500 mm, 2 pieces	0.3
A01KX/1500 078 p2	85 395 00	Suspension clamp for chain suspension with chain length 1,500 mm, 2 pieces	0.3

ACCESSORIES FOR TRUNKING

Fasteners Trunking 078..., white



Designation	TOC	Description	≈kg (pcs.)
White, individually packed			
D01X 078 01	84 833 00	Fixing clamp for direct ceiling mounting, 1 piece	0.1
D01X 078 m caddy clip 01	84 242 00	Fixing clamp with caddy clip for quick mounting on suitable profile steel, 1 piece	0.1
A01SX/1500 078 01	84 834 00	Wire suspension with suspension clip and wire with loop, length 1,500 mm, steplessly adjustable without tools, 1 piece	0.1
A01SX/3000 078 01	84 835 00	Wire suspension with suspension clip and wire with loop, length 3,000 mm, steplessly adjustable without tools, 1 piece	0.1
A01SX/5000 078 01	84 836 00	Wire suspension with suspension clip and wire with loop, length 5,000 mm, steplessly adjustable without tools, 1 piece	0.1
A01DSX/1500 078 01	84 837 00	Decorative wire suspension with suspension clip, ceiling sleeves and wire, length 1,500 mm, steplessly adjustable without tools, 1 piece	0.1
A01DSX/3000 078 01	84 838 00	Decorative wire suspension with suspension clip, ceiling sleeves and wire, length 3,000 mm, steplessly adjustable without tools, 1 piece	0.1
A01DSX/5000 078 01	84 839 00	Decorative wire suspension with suspension clip, ceiling sleeves and wire, length 5,000 mm, steplessly adjustable without tools, 1 piece	0.1
A01DSXOE/1500 078 01	84 840 00	Decorative eyelet wire suspension with suspension clip, ceiling sleeves and wire, length 1,500 mm, steplessly adjustable without tools, 1 piece	0.1
A01DSXOE/3000 078 01	84 841 00	Decorative eyelet wire suspension with suspension clip, ceiling sleeves and wire, length 3,000 mm, steplessly adjustable without tools, 1 piece	0.1
A01DSXOE/5000 078 01	84 842 00	Decorative eyelet wire suspension with suspension clip, ceiling sleeves and wire, length 5,000 mm, steplessly adjustable without tools, 1 piece	0.1
E03SX 078 01	84 843 00	Suspension clamp for wire suspension in conjunction with E06 and E03, 1 piece	0.1
E03KX 078 01	84 844 00	Suspension clamp for chain suspension, 1 piece	0.1
E03SKX 078 01	84 845 00	Suspension clamp height adjustable without tools for chain suspension, 1 piece	0.1
A01SKX/1500 078 01	84 846 00	Suspension clamp height adjustable without tools for chain suspension with chain length 1,500 mm, 1 piece	0.3
A01KX/1500 078 01	84 847 00	Suspension clamp for chain suspension with chain length 1,500 mm, 1 piece	0.3



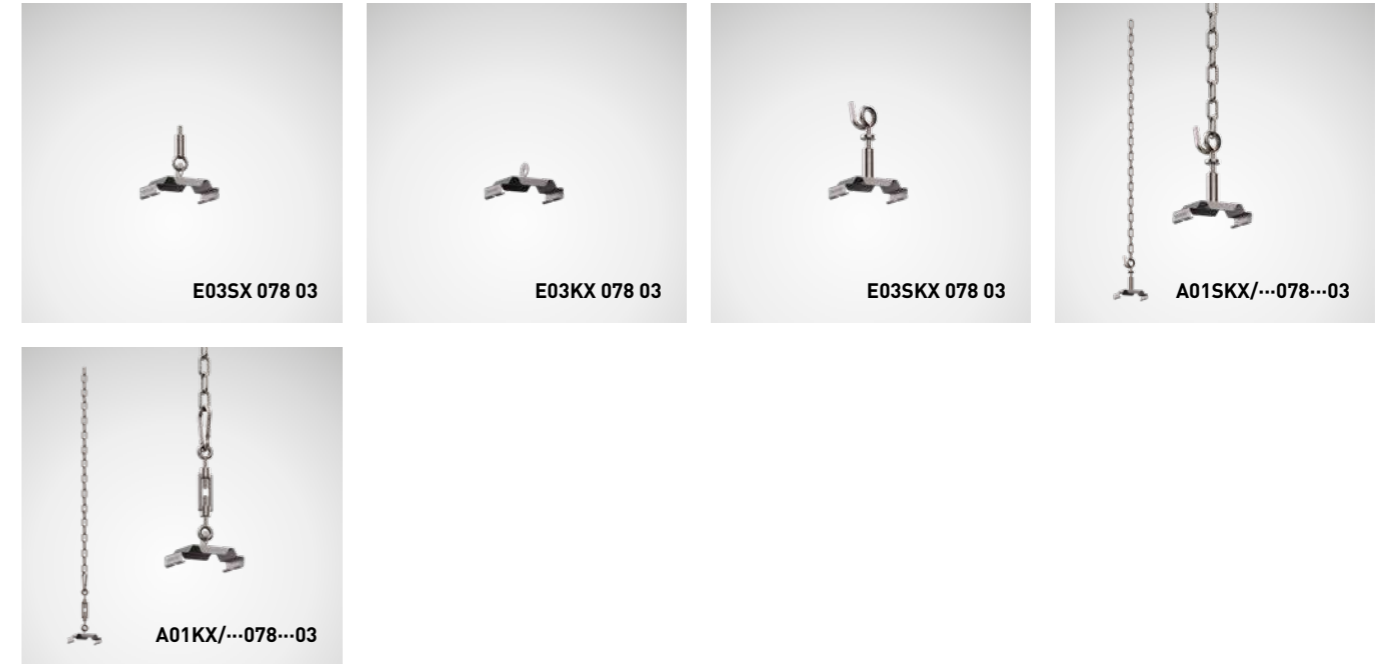
Designation	TOC	Description	≈kg (pcs.)
White, multi-packed (2 pieces)			
D01X 078 01 p2	85 396 00	Fixing clamp for direct ceiling mounting, 2 pieces	0.1
D01X/2 078 m caddy clip 01 p2	85 397 00	Fixing clamp with caddy clip for quick mounting on suitable profile steel, 2 pieces	0.1
A01SX/1500 078 01 p2	85 398 00	Wire suspension with suspension clip and wire with loop, length 1,500 mm, steplessly adjustable without tools, 2 pieces	0.1
A01SX/3000 078 01 p2	85 399 00	Wire suspension with suspension clip and wire with loop, length 3,000 mm, steplessly adjustable without tools, 2 pieces	0.1
A01SX/5000 078 01 p2	85 400 00	Wire suspension with suspension clip and wire with loop, length 5,000 mm, steplessly adjustable without tools, 2 pieces	0.1
A01DSX/1500 078 01 p2	85 401 00	Decorative wire suspension with suspension clip, ceiling sleeves and wire, length 1,500 mm, steplessly adjustable without tools, 2 pieces	0.1
A01DSX/3000 078 01 p2	85 402 00	Decorative wire suspension with suspension clip, ceiling sleeves and wire, length 3,000 mm, steplessly adjustable without tools, 2 pieces	0.1
A01DSX/5000 078 01 p2	85 403 00	Decorative wire suspension with suspension clip, ceiling sleeves and wire, length 5,000 mm, steplessly adjustable without tools, 2 pieces	0.1
A01DSXOE/1500 078 01 p2	85 404 00	Decorative eyelet wire suspension with suspension clip, ceiling sleeves and wire, length 1,500 mm, steplessly adjustable without tools, 2 pieces	0.1
A01DSXOE/3000 078 01 p2	85 405 00	Decorative eyelet wire suspension with suspension clip, ceiling sleeves and wire, length 3,000 mm, steplessly adjustable without tools, 2 pieces	0.1
A01DSXOE/5000 078 01 p2	85 406 00	Decorative eyelet wire suspension with suspension clip, ceiling sleeves and wire, length 5,000 mm, steplessly adjustable without tools, 2 pieces	0.1
E03SX 078 01 p2	85 407 00	Suspension clamp for wire suspension in conjunction with E06 and E03, 2 pieces	0.1
E03KX 078 01 p5	85 408 00	Suspension clamp for chain suspension, 5 pieces	0.1
E03SKX 078 01 p5	85 409 00	Suspension clamp height adjustable without tools for chain suspension, 5 pieces	0.1
A01SKX/1500 078 01 p2	85 410 00	Suspension clamp height adjustable without tools for chain suspension with chain length 1,500 mm, 2 pieces	0.3
A01KX/1500 078 01 p2	85 411 00	Suspension clamp for chain suspension with chain length 1,500 mm, 2 pieces	0.3

ACCESSORIES FOR TRUNKING

Fasteners Trunking 078..., silver



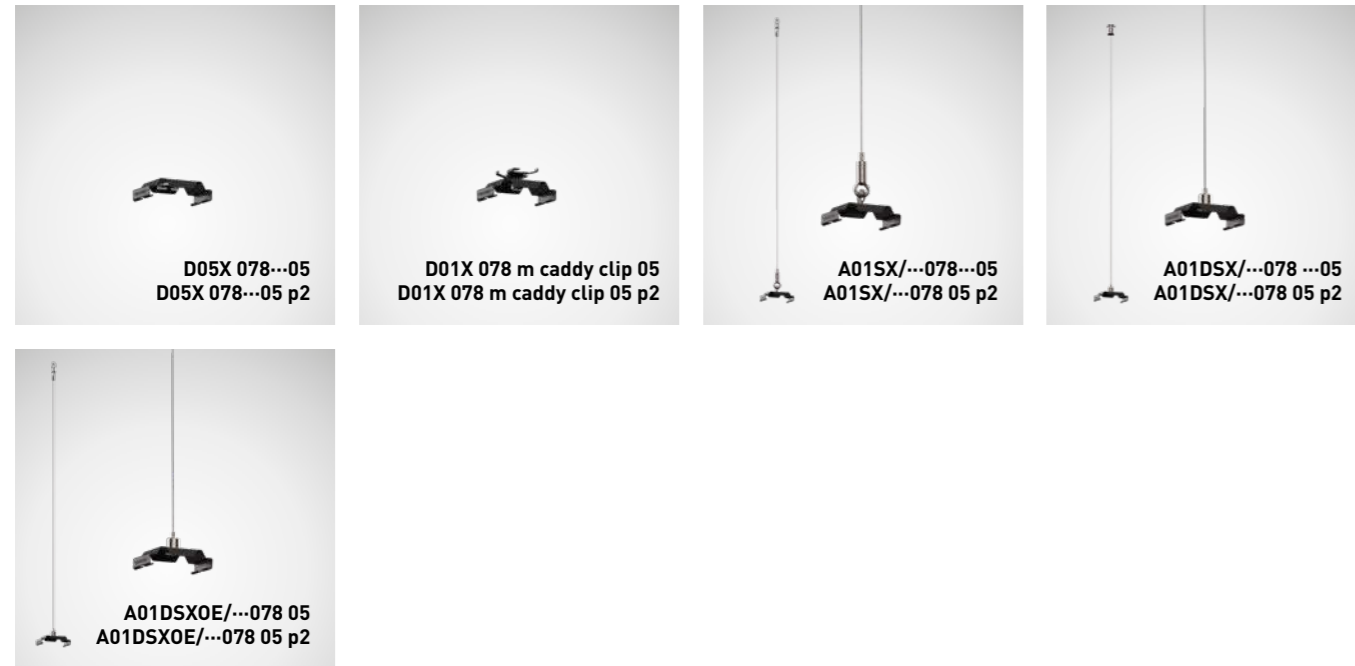
Designation	TOC	Description	≈kg (pcs.)
Silver, individually packed			
D01X 078 03	84 848 00	Fixing clamp for direct ceiling mounting, 1 piece	0.1
D01X 078 m caddy clip 03	84 849 00	Fixing clamp with caddy clip for quick mounting on suitable profile steel, 1 piece	0.1
A01SX/1500 078 03	84 850 00	Wire suspension with suspension clip and wire with loop, length 1,500 mm, infinitely adjustable without tools, 1 piece	0.1
A01SX/3000 078 03	84 851 00	Wire suspension with suspension clip and wire with loop, length 3,000 mm, infinitely adjustable without tools, 1 piece	0.1
A01SX/5000 078 03	84 852 00	Wire suspension with suspension clip and wire with loop, length 5,000 mm, infinitely adjustable without tools, 1 piece	0.1
A01DSX/1500 078 03	84 853 00	Decorative wire suspension with suspension clip, ceiling sleeves and wire, length 1,500 mm, steplessly adjustable without tools, 1 piece	0.1
A01DSX/3000 078 03	84 854 00	Decorative wire suspension with suspension clip, ceiling sleeves and wire, length 3,000 mm, steplessly adjustable without tools, 1 piece	0.1
A01DSX/5000 078 03	84 855 00	Decorative wire suspension with suspension clip, ceiling sleeves and wire, length 5,000 mm, steplessly adjustable without tools, 1 piece	0.1
A01DSXOE/1500 078 03	84 856 00	Decorative eyelet wire suspension with suspension clip, ceiling sleeves and wire, length 1,500 mm, steplessly adjustable without tools, 1 piece	0.1
A01DSXOE/3000 078 03	84 857 00	Decorative eyelet wire suspension with suspension clip, ceiling sleeves and wire, length 3,000 mm, steplessly adjustable without tools, 1 piece	0.1
A01DSXOE/5000 078 03	84 858 00	Decorative eyelet wire suspension with suspension clip, ceiling sleeves and wire, length 5,000 mm, steplessly adjustable without tools, 1 piece	0.1
E03SX 078 03	84 859 00	Suspension clamp for wire suspension in conjunction with E06 and E03, 1 piece	0.1
E03KX 078 03	84 860 00	Suspension clamp for chain suspension, 1 piece	0.1
E03SKX 078 03	84 861 00	Suspension clamp height adjustable without tools for chain suspension, 1 piece	0.1
A01SKX/1500 078 03	84 862 00	Suspension clamp height adjustable without tools for chain suspension with chain length 1,500 mm, 1 piece	0.3
A01KX/1500 078 03	84 863 00	Suspension clamp for chain suspension with chain length 1,500 mm, 1 piece	0.3



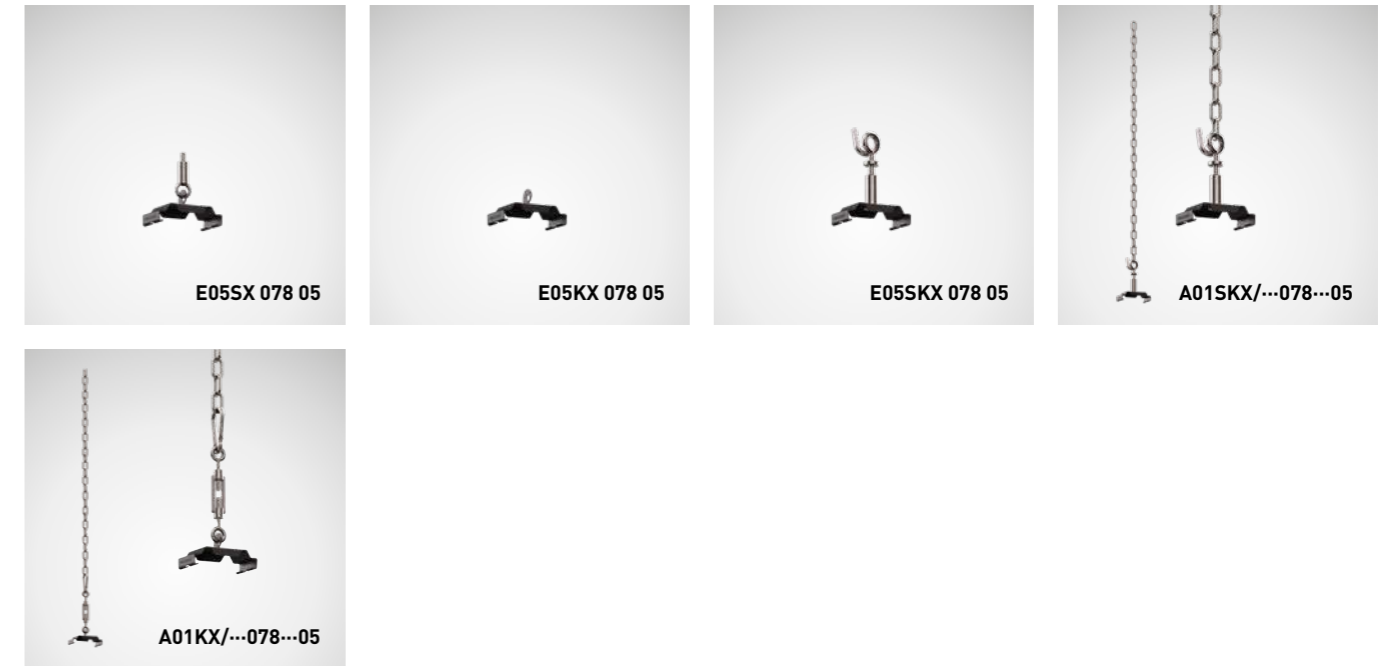
Designation	TOC	Description	≈kg (pcs.)
Silver, multi-packed (2 pieces)			
D01X 078 03 p2	85 412 00	Fixing clamp for direct ceiling mounting, 2 pieces	0.1
D01X/2 078 m caddy clip 03 p2	85 442 00	Fixing clamp with caddy clip for quick mounting on suitable profile steel, 2 pieces	0.1
A01SX/1500 078 03 p2	85 413 00	Wire suspension with suspension clip and wire with loop, length 1,500 mm, infinitely adjustable without tools, 2 pieces	0.1
A01SX/3000 078 03 p2	85 414 00	Wire suspension with suspension clip and wire with loop, length 3,000 mm, infinitely adjustable without tools, 2 pieces	0.1
A01SX/5000 078 03 p2	85 415 00	Wire suspension with suspension clip and wire with loop, length 5,000 mm, infinitely adjustable without tools, 2 pieces	0.1
A01DSX/1500 078 03 p2	85 416 00	Decorative wire suspension with suspension clip, ceiling sleeves and wire, length 1,500 mm, steplessly adjustable without tools, 2 pieces	0.1
A01DSX/3000 078 03 p2	85 417 00	Decorative wire suspension with suspension clip, ceiling sleeves and wire, length 3,000 mm, steplessly adjustable without tools, 2 pieces	0.1
A01DSX/5000 078 03 p2	85 418 00	Decorative wire suspension with suspension clip, ceiling sleeves and wire, length 5,000 mm, steplessly adjustable without tools, 2 pieces	0.1
A01DSXOE/1500 078 03 p2	85 419 00	Decorative eyelet wire suspension with suspension clip, ceiling sleeves and wire, length 1,500 mm, steplessly adjustable without tools, 2 pieces	0.1
A01DSXOE/3000 078 03 p2	85 420 00	Decorative eyelet wire suspension with suspension clip, ceiling sleeves and wire, length 3,000 mm, steplessly adjustable without tools, 2 pieces	0.1
A01DSXOE/5000 078 03 p2	85 421 00	Decorative eyelet wire suspension with suspension clip, ceiling sleeves and wire, length 5,000 mm, steplessly adjustable without tools, 2 pieces	0.1
E03SX 078 03 p2	85 422 00	Suspension clamp for wire suspension in conjunction with E06 and E03, 2 pieces	0.1
E03KX 078 03 p5	85 423 00	Suspension clamp for chain suspension, 5 pieces	0.1
E03SKX 078 03 p5	85 424 00	Suspension clamp height adjustable without tools for chain suspension, 5 pieces	0.1
A01SKX/1500 078 03 p2	85 425 00	Suspension clamp height adjustable without tools for chain suspension with chain length 1,500 mm, 2 pieces	0.3
A01KX/1500 078 03 p2	85 426 00	Suspension clamp for chain suspension with chain length 1,500 mm, 2 pieces	0.3

ACCESSORIES FOR TRUNKING

Fasteners Trunking 078..., black



Designation	TOC	Description	≈kg (pcs.)
Black, individually packed			
D01X 078 05	84 864 00	Fixing clamp for direct ceiling mounting, 1 piece	0.1
D01X 078 m caddy clip 05	84 865 00	Fixing clamp with caddy clip for quick mounting on suitable profile steel, 1 piece	0.1
A01SX/1500 078 05	84 866 00	Wire suspension with suspension clip and wire with loop, length 1,500 mm, infinitely adjustable without tools, 1 piece	0.1
A01SX/3000 078 05	84 867 00	Wire suspension with suspension clip and wire with loop, length 3,000 mm, infinitely adjustable without tools, 1 piece	0.1
A01SX/5000 078 05	84 868 00	Wire suspension with suspension clip and wire with loop, length 5,000 mm, infinitely adjustable without tools, 1 piece	0.1
A01DSX/1500 078 05	84 869 00	Decorative wire suspension with suspension clip, ceiling sleeves and wire, length 1,500 mm, steplessly adjustable without tools, 1 piece	0.1
A01DSX/3000 078 05	84 870 00	Decorative wire suspension with suspension clip, ceiling sleeves and wire, length 3,000 mm, steplessly adjustable without tools, 1 piece	0.1
A01DSX/5000 078 05	84 871 00	Decorative wire suspension with suspension clip, ceiling sleeves and wire, length 5,000 mm, steplessly adjustable without tools, 1 piece	0.1
A01DSXOE/1500 078 05	84 872 00	Decorative eyelet wire suspension with suspension clip, ceiling sleeves and wire, length 1,500 mm, steplessly adjustable without tools, 1 piece	0.1
A01DSXOE/3000 078 05	84 873 00	Decorative eyelet wire suspension with suspension clip, ceiling sleeves and wire, length 3,000 mm, steplessly adjustable without tools, 1 piece	0.1
A01DSXOE/5000 078 05	84 874 00	Decorative eyelet wire suspension with suspension clip, ceiling sleeves and wire, length 5,000 mm, steplessly adjustable without tools, 1 piece	0.1
E03SX 078 05	84 875 00	Suspension clamp for wire suspension in conjunction with E06 and E03, 1 piece	0.1
E03KX 078 05	84 876 00	Suspension clamp for chain suspension, 1 piece	0.1
E03SKX 078 05	84 877 00	Suspension clamp height adjustable without tools for chain suspension, 1 piece	0.1
A01SKX/1500 078 05	84 878 00	Suspension clamp height adjustable without tools for chain suspension with chain length 1,500 mm, 1 piece	0.3
A01KX/1500 078 05	84 879 00	Suspension clamp for chain suspension with chain length 1,500 mm, 1 piece	0.3



Designation	TOC	Description	≈kg (pcs.)
Black, multi-packed (2 pieces)			
D01X 078 03 p5	85 427 00	Fixing clamp for direct ceiling mounting, 2 pieces	0.1
D01X/2 078 m caddy clip 05 p2	85 443 00	Fixing clamp with caddy clip for quick mounting on suitable profile steel, 2 pieces	0.1
A01SX/1500 078 05 p2	85 428 00	Wire suspension with suspension clip and wire with loop, length 1,500 mm, infinitely adjustable without tools, 2 pieces	0.1
A01SX/3000 078 05 p2	85 429 00	Wire suspension with suspension clip and wire with loop, length 3,000 mm, infinitely adjustable without tools, 2 pieces	0.1
A01SX/5000 078 05 p2	85 430 00	Wire suspension with suspension clip and wire with loop, length 5,000 mm, infinitely adjustable without tools, 2 pieces	0.1
A01DSX/1500 078 05 p2	85 431 00	Decorative wire suspension with suspension clip, ceiling sleeves and wire, length 1,500 mm, steplessly adjustable without tools, 2 pieces	0.1
A01DSX/3000 078 05 p2	85 432 00	Decorative wire suspension with suspension clip, ceiling sleeves and wire, length 3,000 mm, steplessly adjustable without tools, 2 pieces	0.1
A01DSX/5000 078 05 p2	85 433 00	Decorative wire suspension with suspension clip, ceiling sleeves and wire, length 5,000 mm, steplessly adjustable without tools, 2 pieces	0.1
A01DSXOE/1500 078 05 p2	85 434 00	Decorative eyelet wire suspension with suspension clip, ceiling sleeves and wire, length 1,500 mm, steplessly adjustable without tools, 2 pieces	0.1
A01DSXOE/3000 078 05 p2	85 435 00	Decorative eyelet wire suspension with suspension clip, ceiling sleeves and wire, length 3,000 mm, steplessly adjustable without tools, 2 pieces	0.1
A01DSXOE/5000 078 05 p2	85 436 00	Decorative eyelet wire suspension with suspension clip, ceiling sleeves and wire, length 5,000 mm, steplessly adjustable without tools, 2 pieces	0.1
E03SX 078 05 p2	85 437 00	Suspension clamp for wire suspension in conjunction with E06 and E03, 2 pieces	0.1
E03KX 078 05 p5	85 438 00	Suspension clamp for chain suspension, 5 pieces	0.1
E03SKX 078 05 p5	85 439 00	Suspension clamp height adjustable without tools for chain suspension, 5 pieces	0.1
A01SKX/1500 078 05 p2	85 440 00	Suspension clamp height adjustable without tools for chain suspension with chain length 1,500 mm, 2 pieces	0.3

ACCESSORIES

Further accessories for fastening



Designation	TOC	Description	≈kg (pcs.)
E 04	2343400	Chain, length 20 m, can be cut to length on-site	4.5
E 06	2343700	Steel wire, length 20 m, with instant glue for fixing wire ends	0.3
E 05 N	2343600	Turnbuckle with spring hook, 1 piece	0.1
E 01	2342000	Ceiling fixing plate with spring hook, 1 piece	0.2

Accessories for feed-in



Designation	TOC	Description	≈kg (pcs.)
078 VS-7	84 973 00	Feeder, 7-pole, for rigid cables	0.2
078 VS-13	84 974 00	Feeder, 13-pole, for rigid cables	0.2
078 VF-7	84 975 00	Feeder, 7-pole, for flexible cables	0.2
078 VF-13	84 976 00	Feeder, 13-pole, for flexible cables	0.2

ACCESSORIES

Spare parts and miscellaneous



Designation	TOC	Description	≈kg (pcs.)
Spare parts			
078 VV-7	84 971 00	Electrical connector in coupling area, 7-pole	0.2
078 VV-13	84 972 00	Electrical connector in coupling area, 13-pole	0.2
078 ZLK VV-7	89 165 00	Coupling with electrical connector, 7-pole	0.5
078 ZLK VV-13	89 166 00	Coupling with electrical connector, 13-pole	0.5
078 ZLK	89 167 00	Coupling without electrical connector	0.4
078 End cap MVM End	84 964 00	Protective cap for open conductors, end	0.1
078 End cap MVM Start	84 965 00	Protective cap for open conductors, start	0.1
078 Connector 3-pole	84 969 00	Electrical tap 3-pole	0.2
078 Connector 5-pole	84 961 00	Electrical tap 5-pole	0.2
078 Connector 7-pole	84 962 00	Electrical tap 7-pole	0.2
078 Connector 9-pole	84 963 00	Electrical tap 9-pole	0.2
078 Connector 11-pole	84 970 00	Electrical tap 11-pole	0.2
Other			
078 LHI	8916300	Inner cable restraint	0.1
078 VD	8916400	Locking pusher	0.1

CONTACTS

TRILUX GmbH & Co. KG

Heidestraße · D-59759 Arnsberg
Postfach 19 60 · D-59753 Arnsberg
Tel. +49 2932 301-0
sales@trilux.com
www.trilux.com

TRILUX LIGHTING LIMITED

TRILUX HOUSE, Winsford Way
Boreham Interchange
Chelmsford, Essex
CM2 5PD
Tel. +44 1245 463463
info.co.uk@trilux.com
www.trilux.com

All technical data including dimensional and weight specifications have been compiled with due care. Errors reserved. Possible colour deviations are due to printing processes. We reserve the right to modify in the interest of progress. Luminaires are partly shown with separately ordered accessories. Images of installations may show custom-manufactured luminaires. This publication was printed on PEFC-certified paper in an environmentally friendly way.