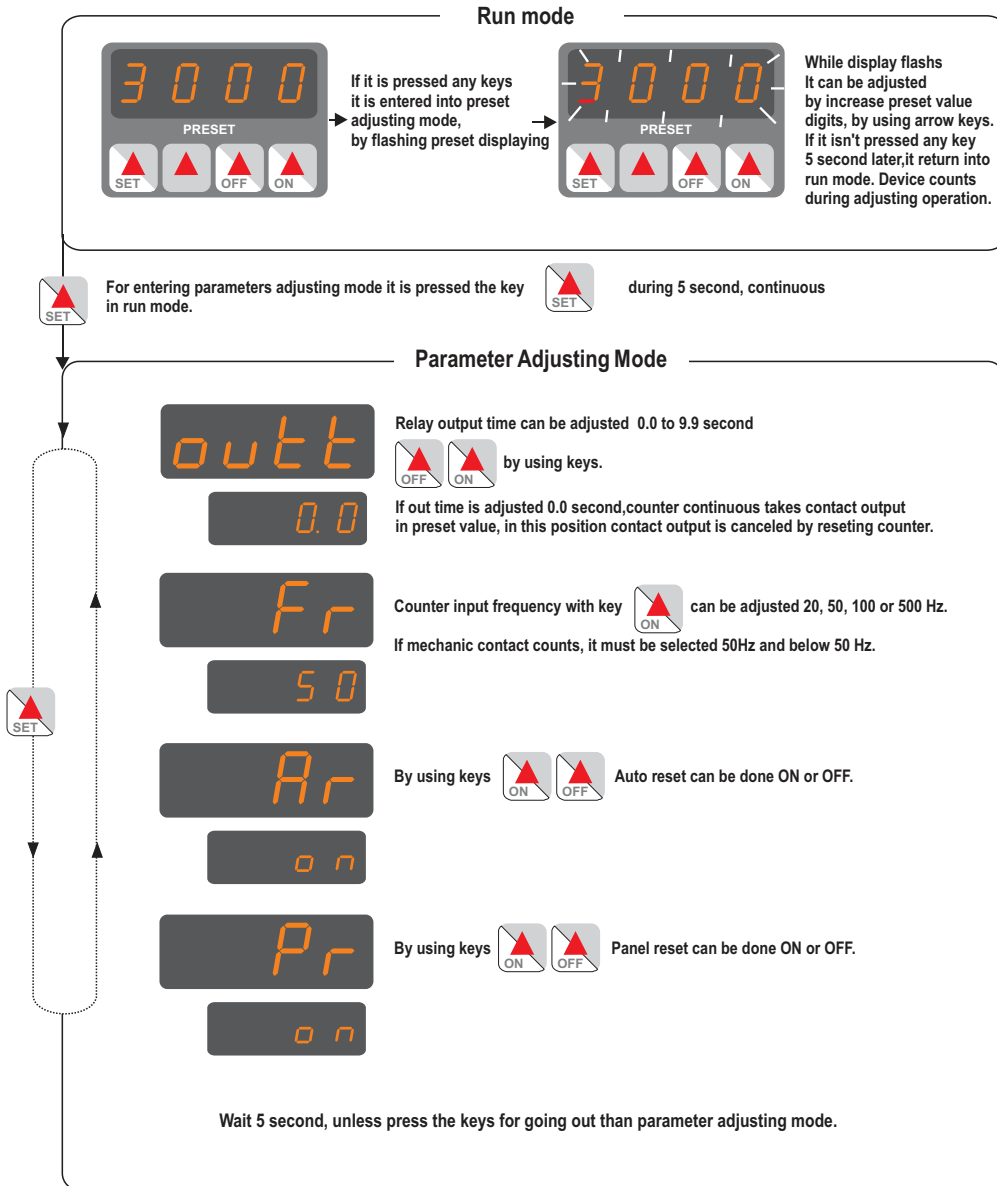
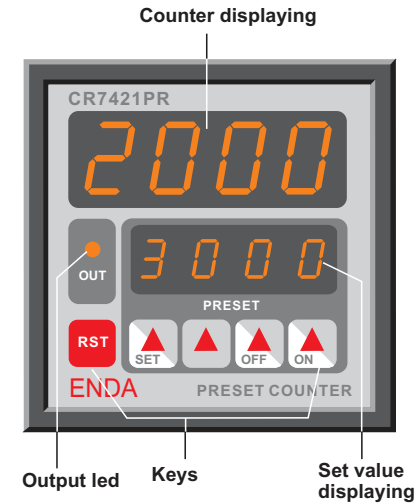


CR7421PR PROGRAMMING DIAGRAM



ENDA CR7421PR PRESET UP COUNTER USING MANUAL



Displays and keys specifications

Counter displaying:

Counter displaying shows 4 digit counting value in run mode. In addition, it is shows programming messages in SET mode.

Set value displaying:

Set value displaying shows 4 digit preset value in run mode. It is shows programming messages in SET mode.

Keys:

If it is continuous pressed during 5 sec. in run mode. It is entered into parameter adjusting mode. While the key is in adjusting mode to be used for selecting parameter.

Preset value in run mode supplied to increase 3. digit value by this key.

Preset value in run mode is supplied to increase 2. digit value. Auto reset and panel reset is done OFF in parameter adjusting mode and it is supplied to increase 2. digit value of Out time.

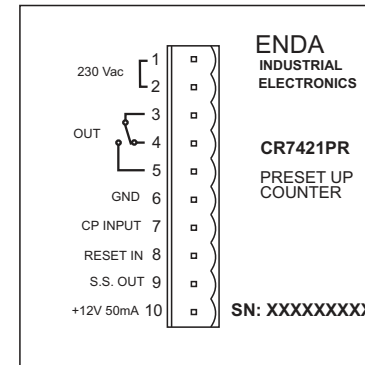
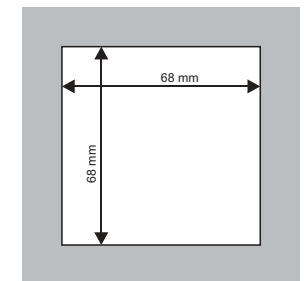
Preset value in run mode is supplied to increase 1. digit value. Auto reset and panel reset is done ON in parameter adjusting mode and It is supplied to increase 1. digit value of Out time.

If panel reset parameter is ON, it is reseted the counter.

Main Characteristics

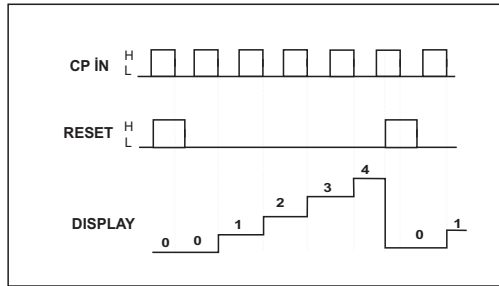
- Dimension : H72xW72xD115mm
- Display : LED, 4 digits, character height 14.2mm
LED, 4 digits, character height 9.1mm
- Count input : 1 channel (Maximum 500Hz, 5V to 30V)
- Count rate : 20, 50, 100, 500Hz
- Minimum pulse width : 25 ms for Fr=20Hz; 10 ms for Fr=50Hz; 5 ms for Fr=100Hz; 1 ms for Fr=500Hz (On/off ratio 1/1)
- Control output : 1 relay. (230Vac 2A for resistive loads, SPTD)
1 open collector output (30Vdc, 100mA)
- Control output time : Permanent or adjustable 0.1 to 9.9 second.
- Reset input : Positive reset (Min. pulse width 10ms, 5V to 30Vdc)
- Supply voltage : 230V AC +10% -20% or 24V AC ±10%, 50/60Hz or optional 9-30V DC / 7-24V AC ±10% SMPS module.
- Power consumption : 3VA
- Sensor supply output : 12Vdc maximum 50mA (no regulate)
- Operating temperature : 0-50°C
- Keypad : Microswitch
- Data retention : EEPROM (minimum 10 year)
- Wiring : 2.5mm² screw-terminal connections
- Weight : 365 g

Panel Cut-Out

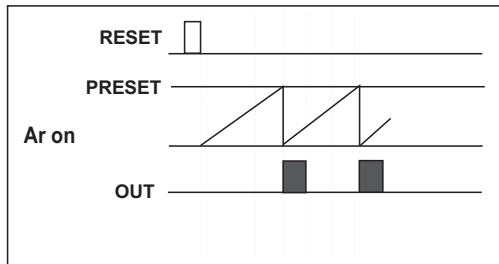
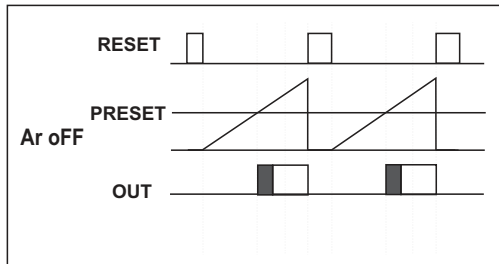


- 1,2 : 230 Vac input
- 3,4,5 : Relay output (Max 2A 230Vac)
- 6 : GND
- 7 : Count puls input (Max 30V 500Hz)
- 8 : Reset input
- 9 : Solid state OUT (Max 30V 100mA open collector NPN)
- 10 : +12 V 50 mA sensor supply output

INPUT TYPES

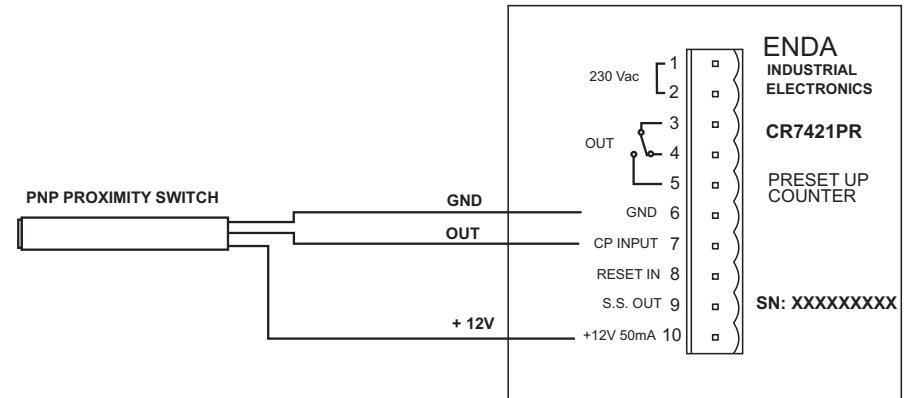


OUTPUT TYPES

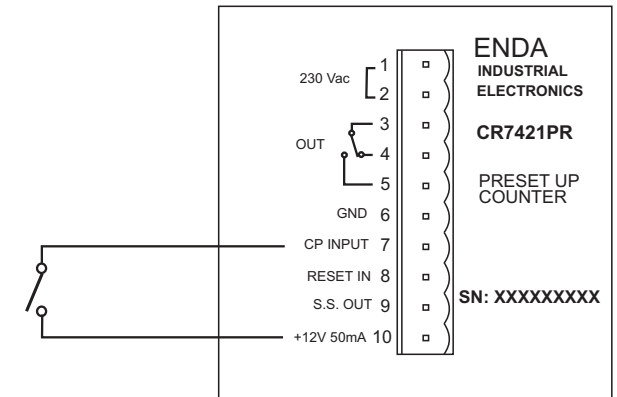


□ Permanent output ■ Output can be adjusted 0.1 to 9.9 second.

EXAMPLES OF SENSOR CONNECTION



COUNTING WITH MECHANICS CONTACT



EXTERNAL RESET CONNECTION

