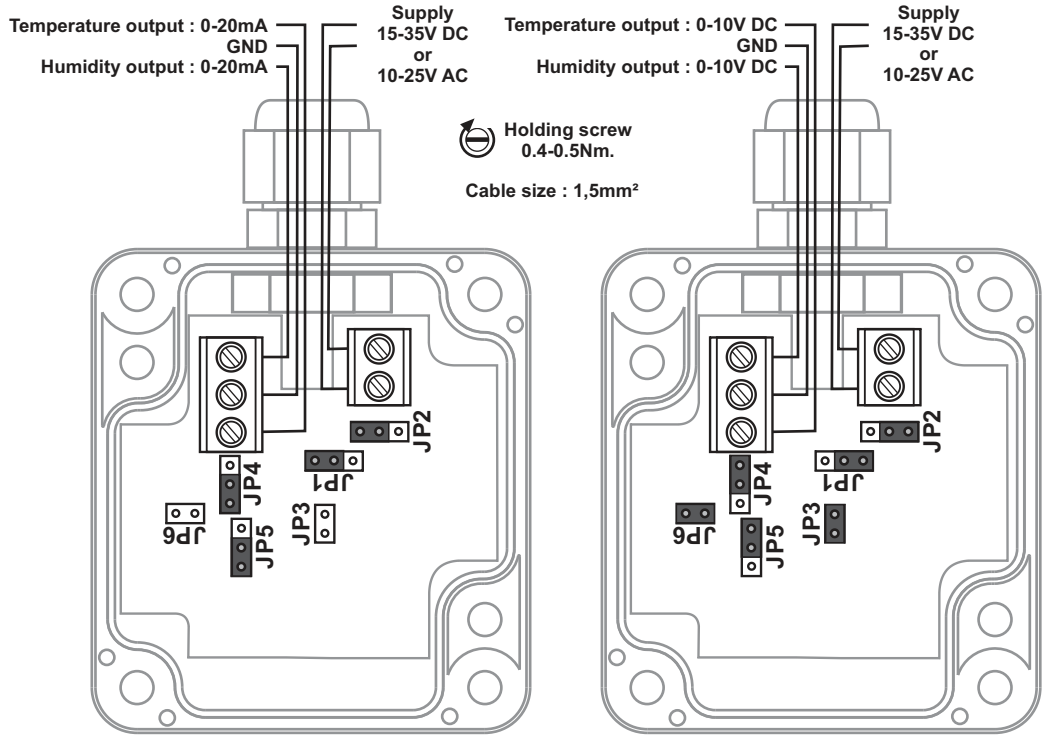
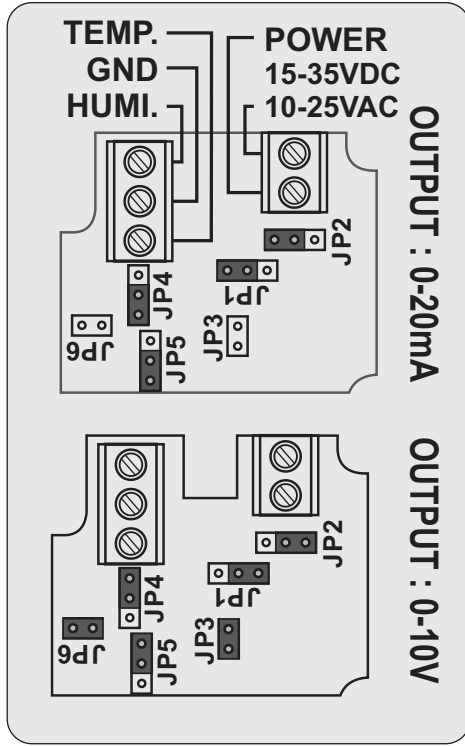




# CONNECTION DIAGRAM

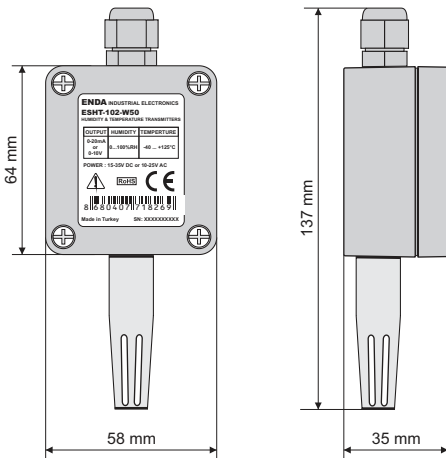
ESHT-102 temperature and humidity outputs of the device can be set to 0-10 V or 0-20 mA. Heat output (JP1, JP2, JP3), humidity output (JP4, JP5, JP6) can be replaced by jumpers.



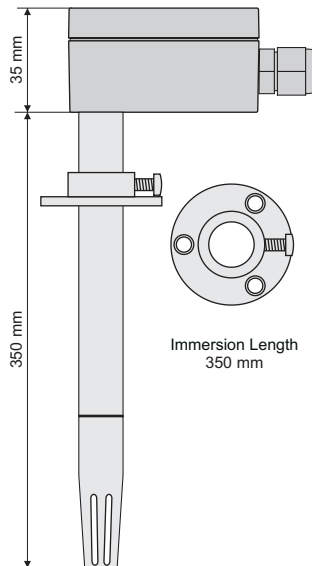
**!** ENDA ESHT-102 Series humidity and temperature transmitter devices are intended for wall-mounted or duct type installations. Make sure that the device is used only for intended purpose. The electrical connections must be carried out by a qualified staff and must be according to the relevant locally applicable regulations. During an installation, all of the cables that are connected to the device must be free of electrical power. The device must be protected against inadmissible humidity, vibrations, severe soiling. Make sure that the operation temperature is not exceeded. The cables should not be close to the power cables or components.

## DIMENSIONS

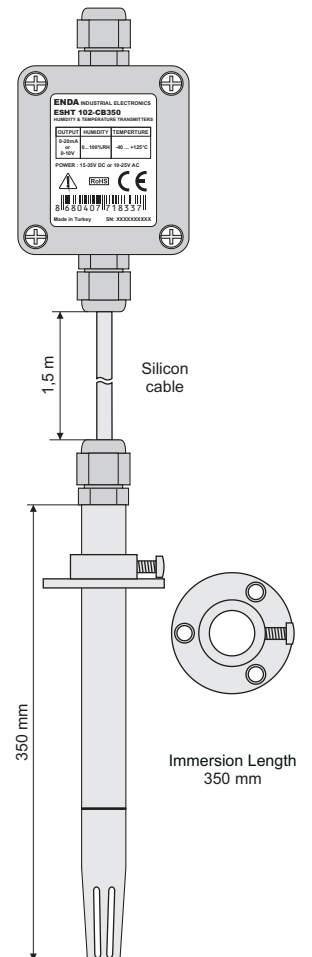
**ESHT-102-W50 WALL-MOUNTED**



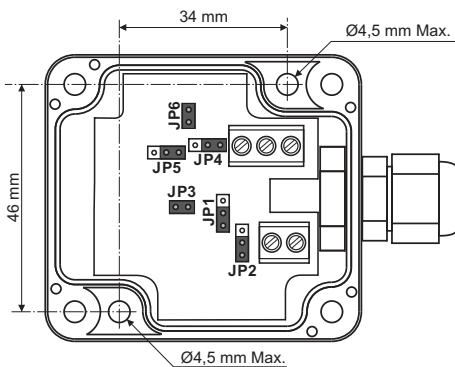
**ESHT-102-DC350 DUCT TYPE**



**ESHT-102-CB350 CABLED TYPE**



## INSTALLATION



For best measurement, device must be mounted to where the air flow exist and measurement part must turned to down.